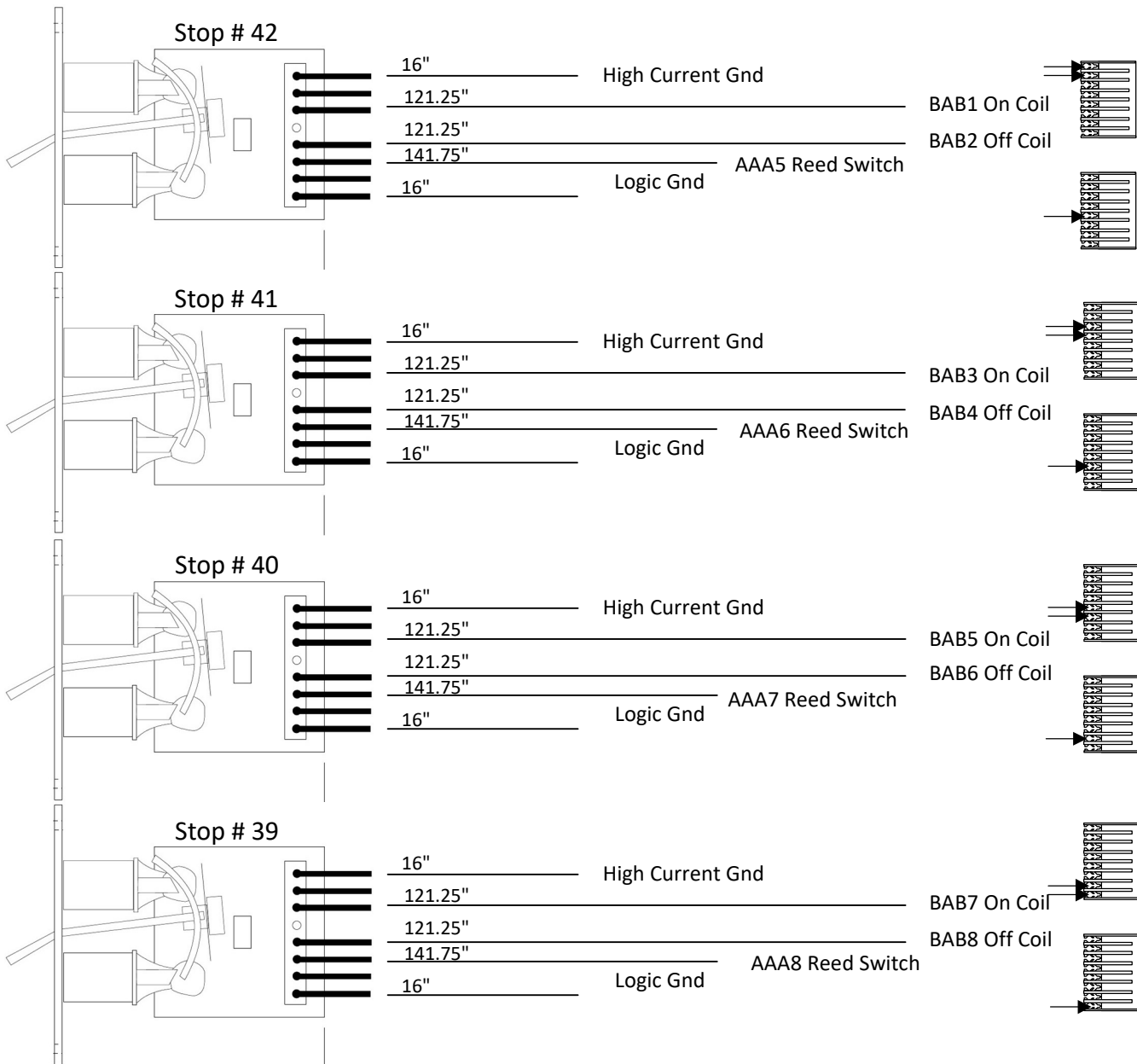
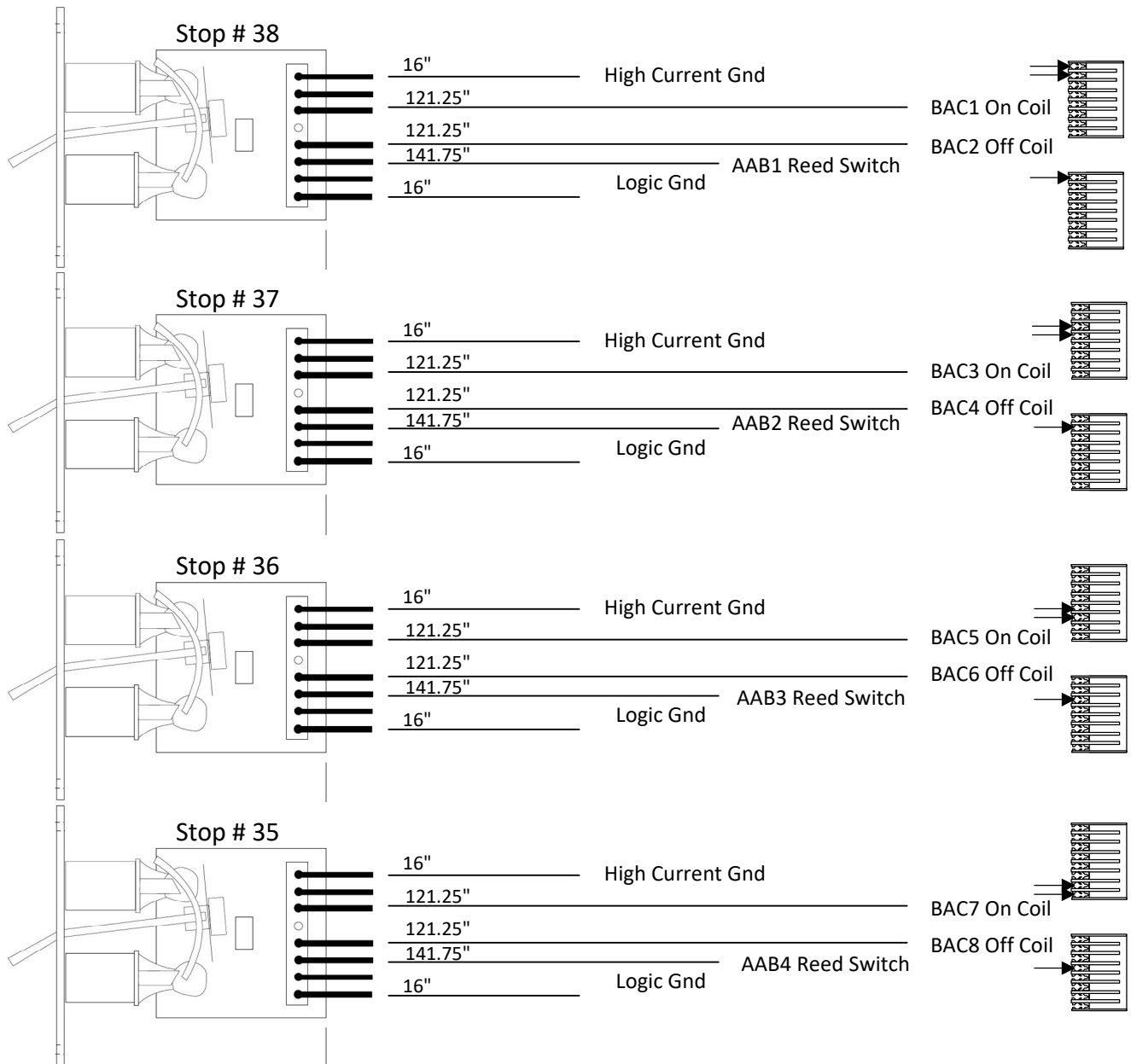


NOTES:

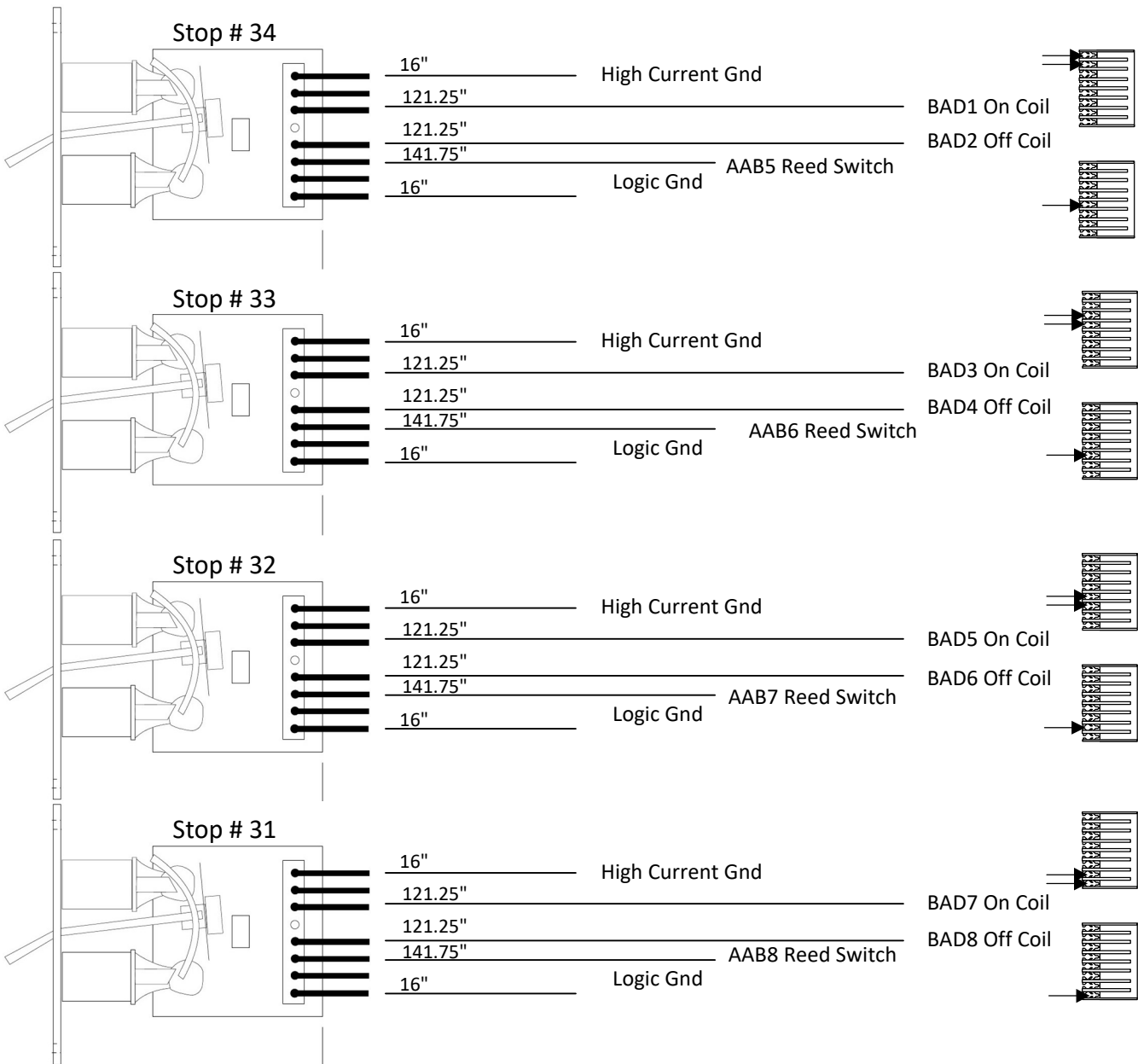


NOTES:

Top Row (Group 1)

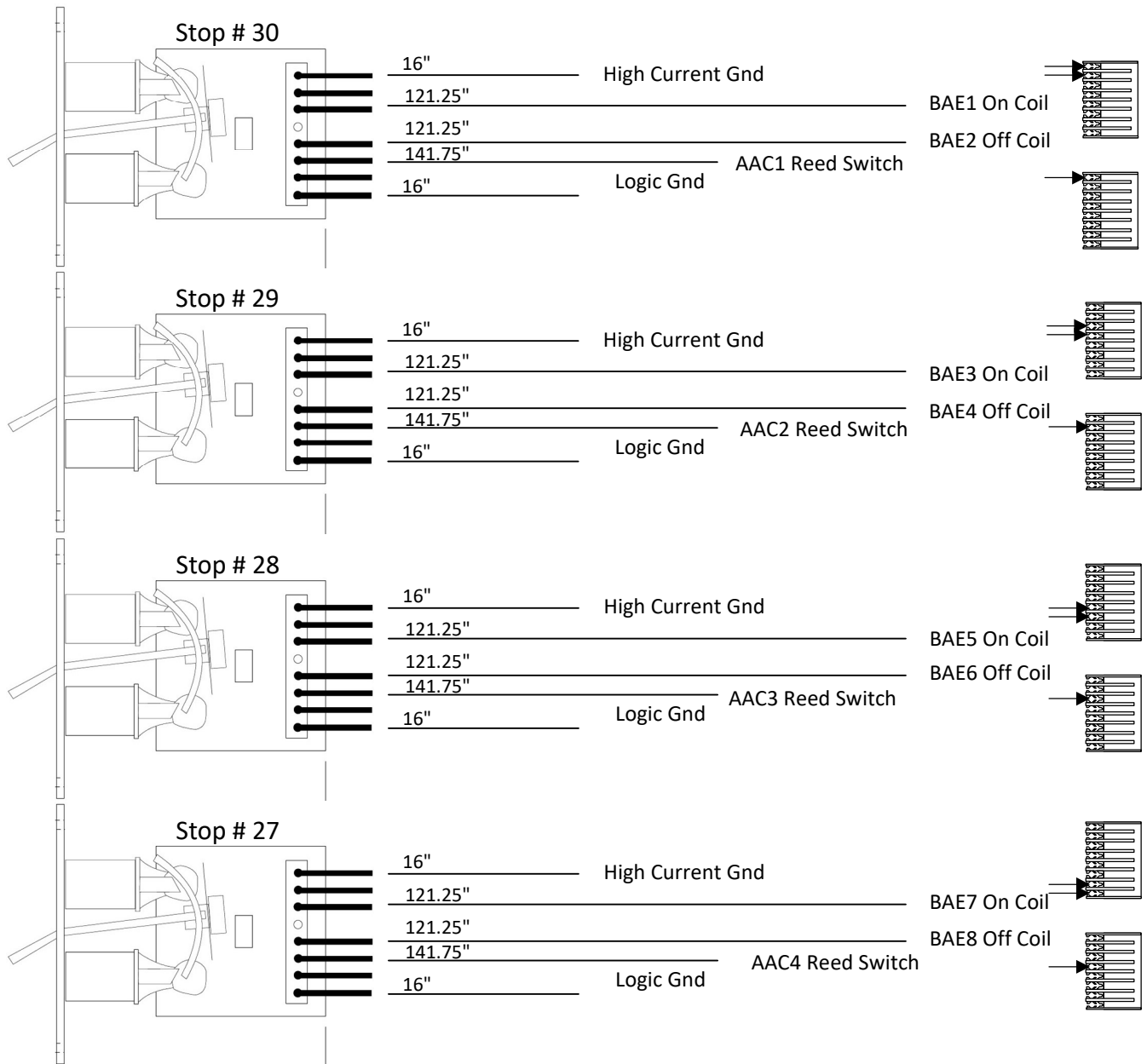


NOTES:

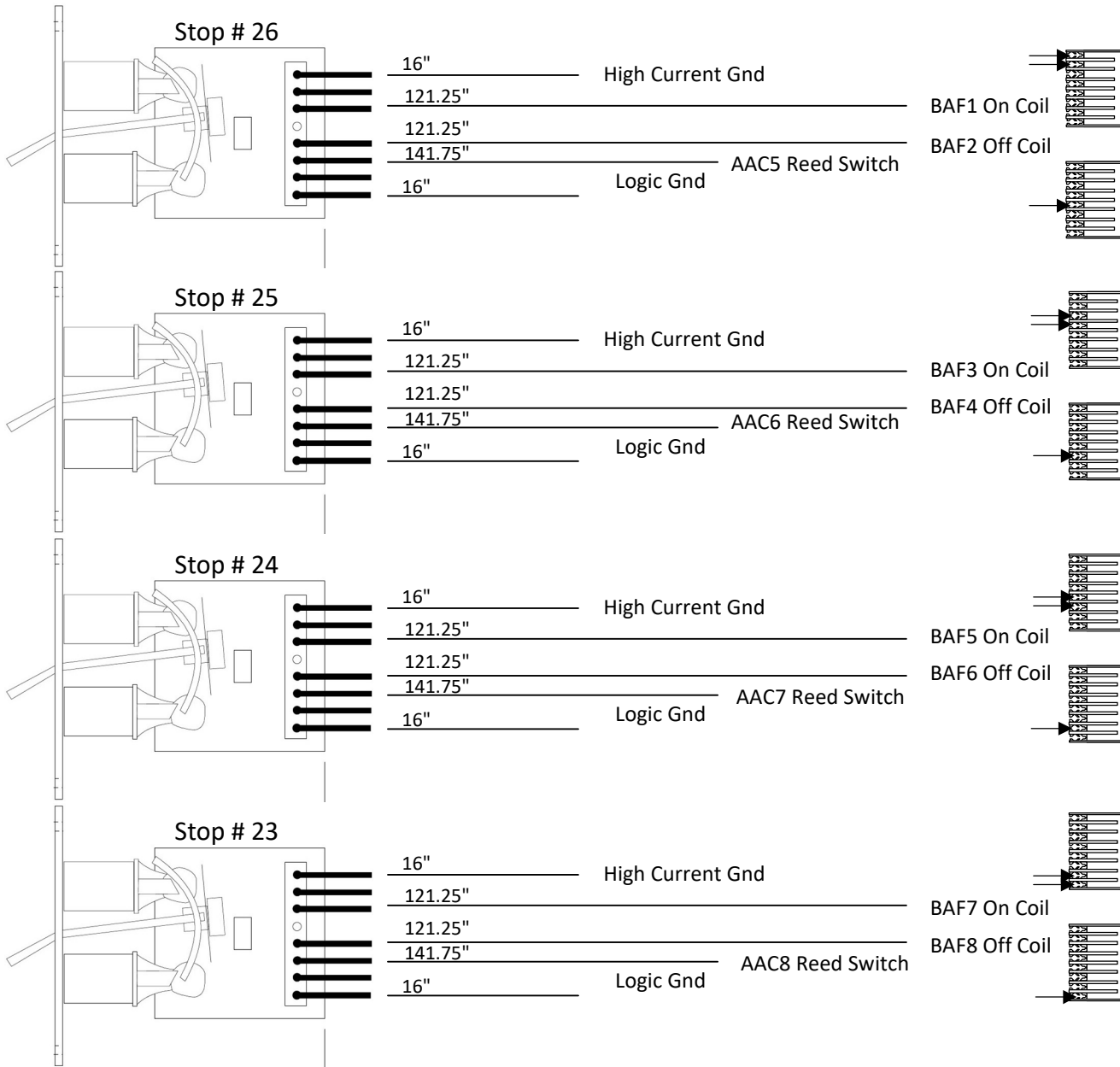


NOTES:

Top Row (Group 1)

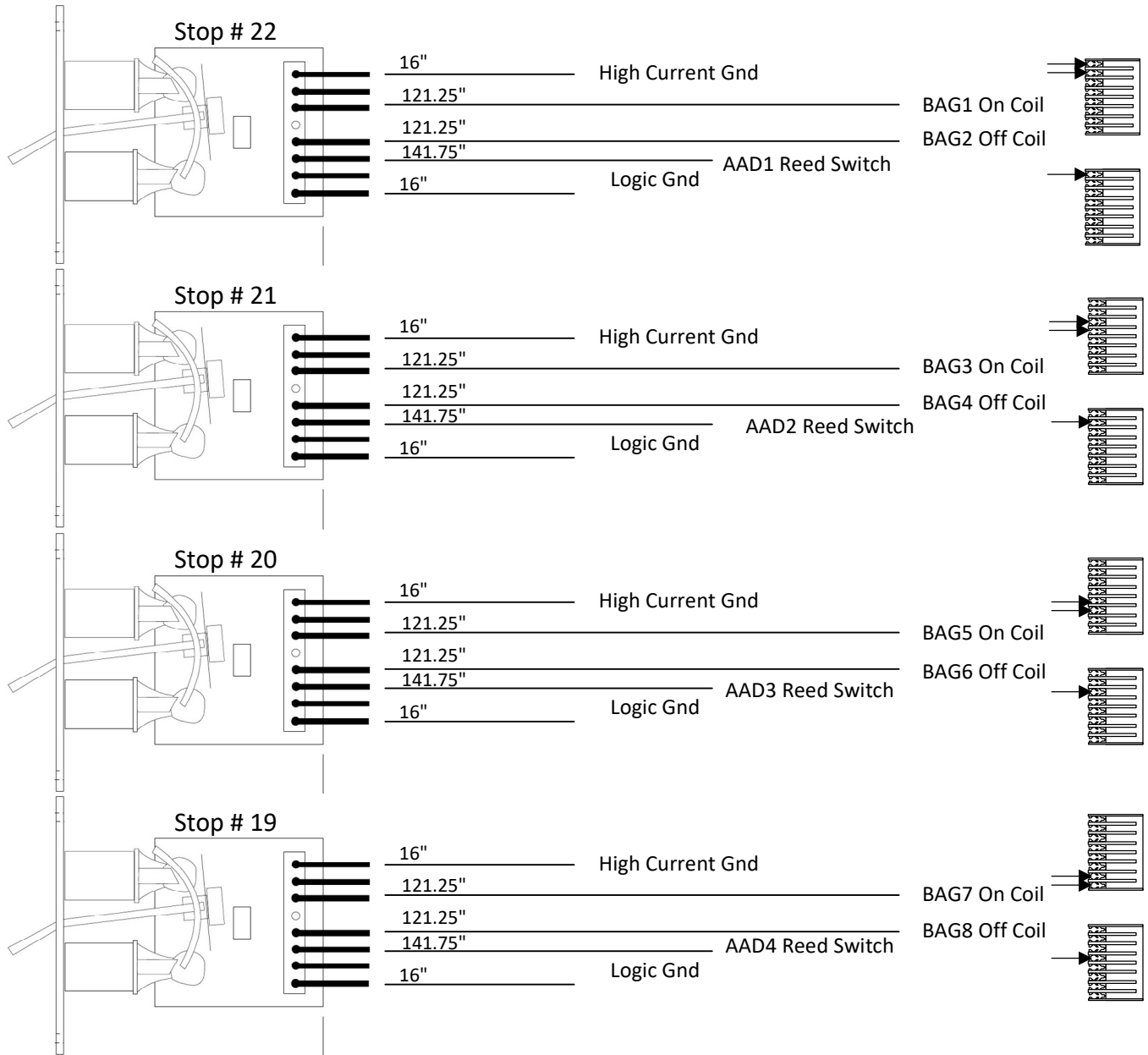


NOTES:

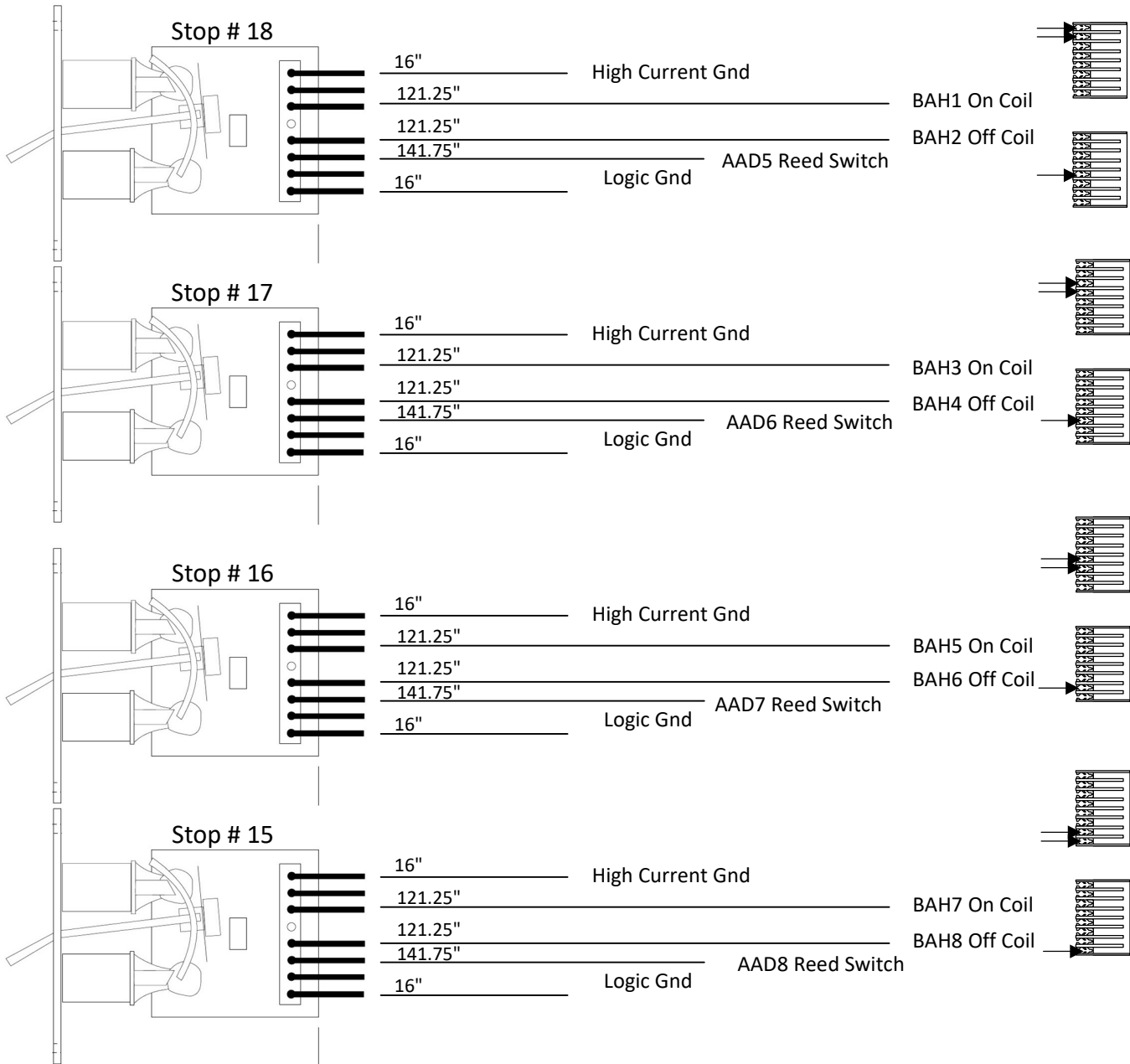


NOTES:

Top Row (Group 1)

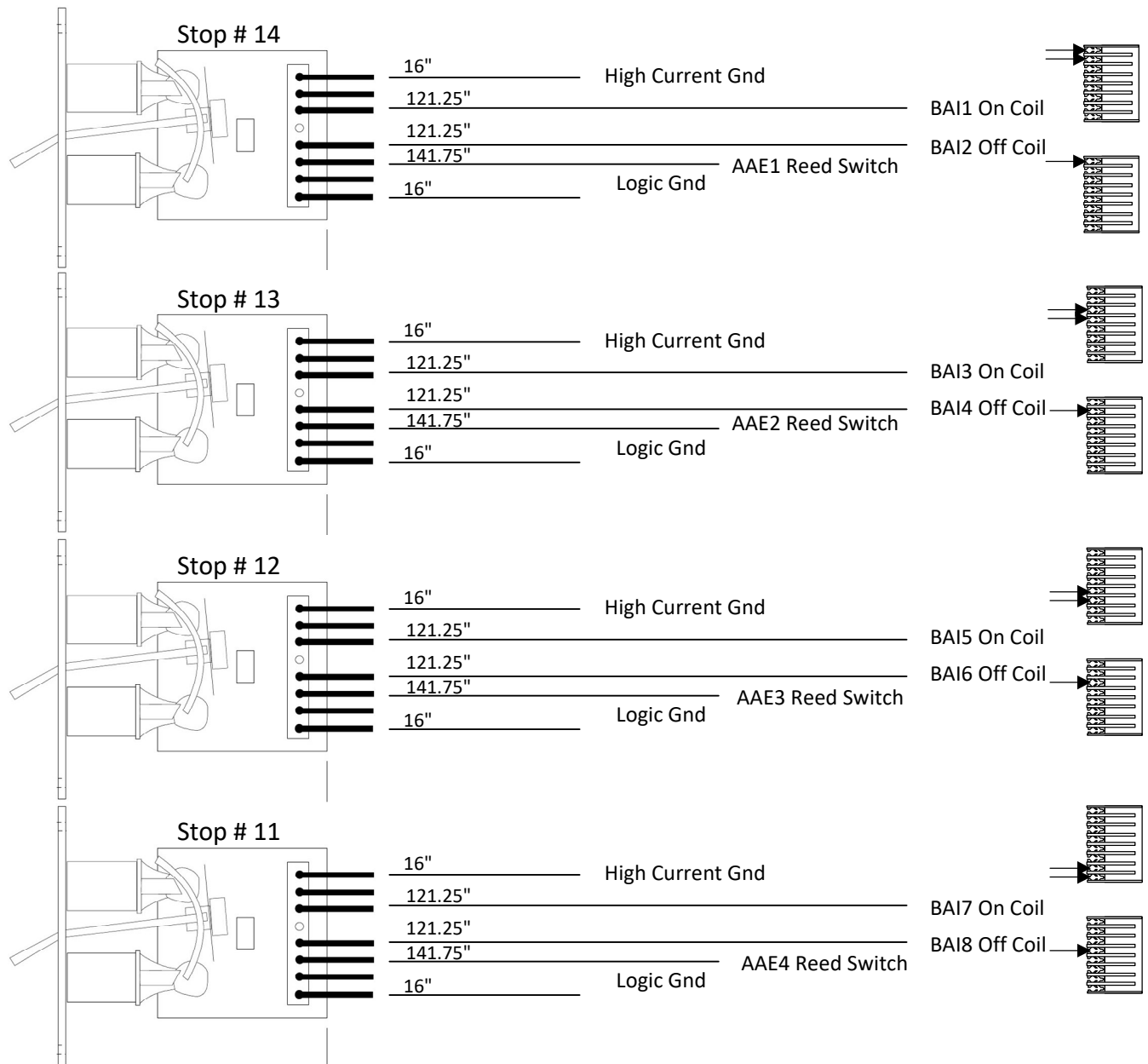


NOTES:

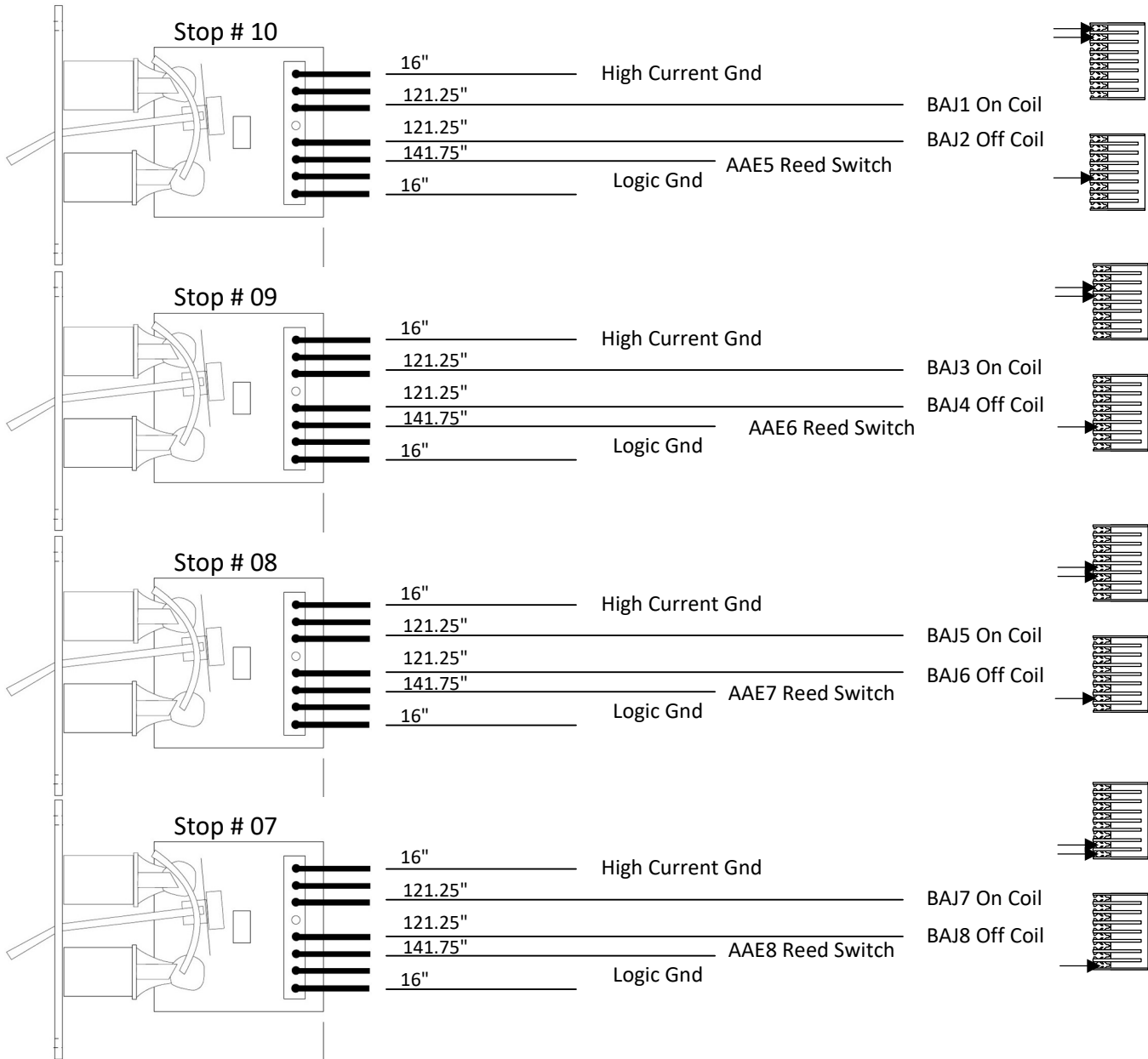


NOTES:

Top Row (Group 1)

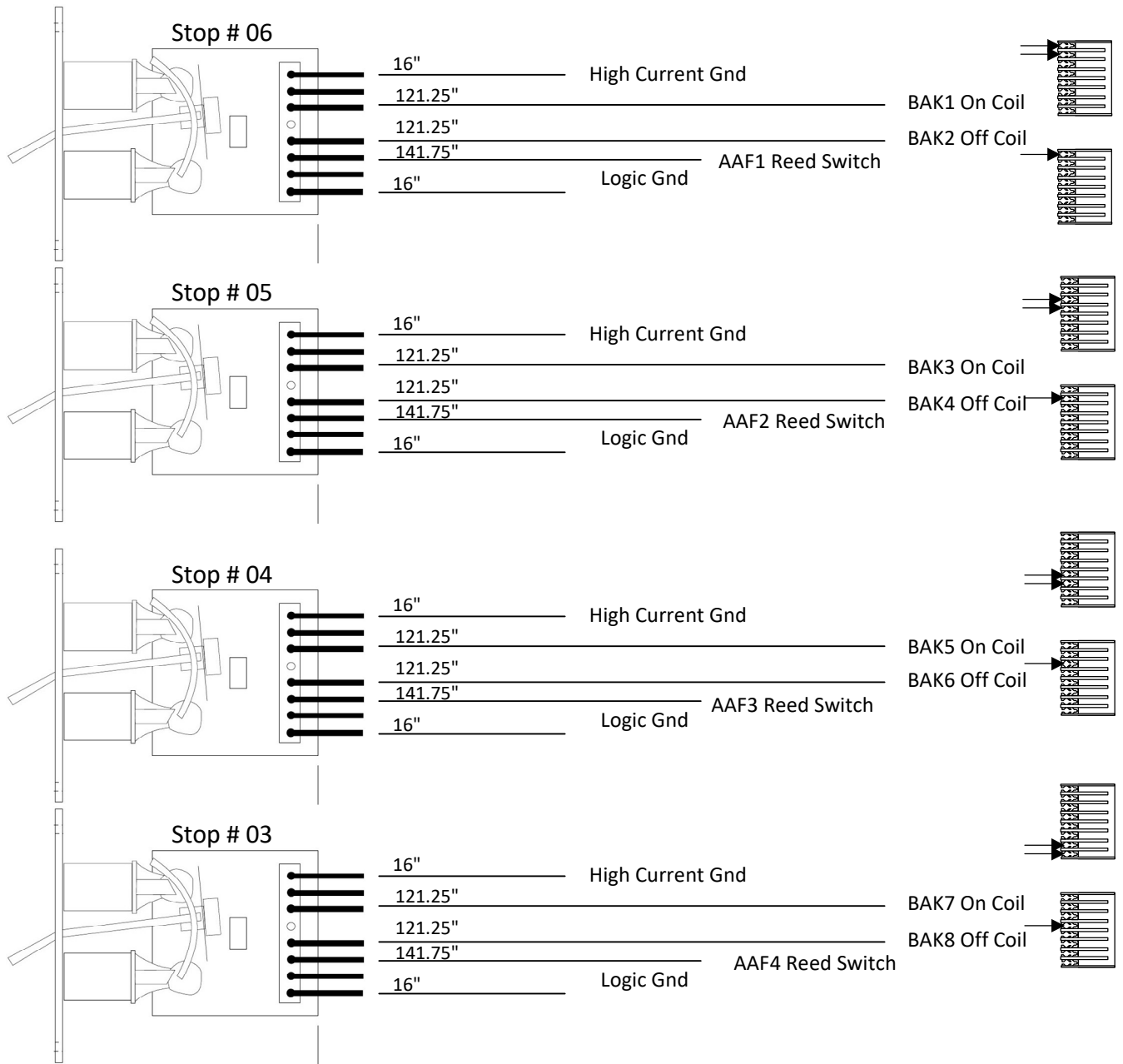


NOTES:

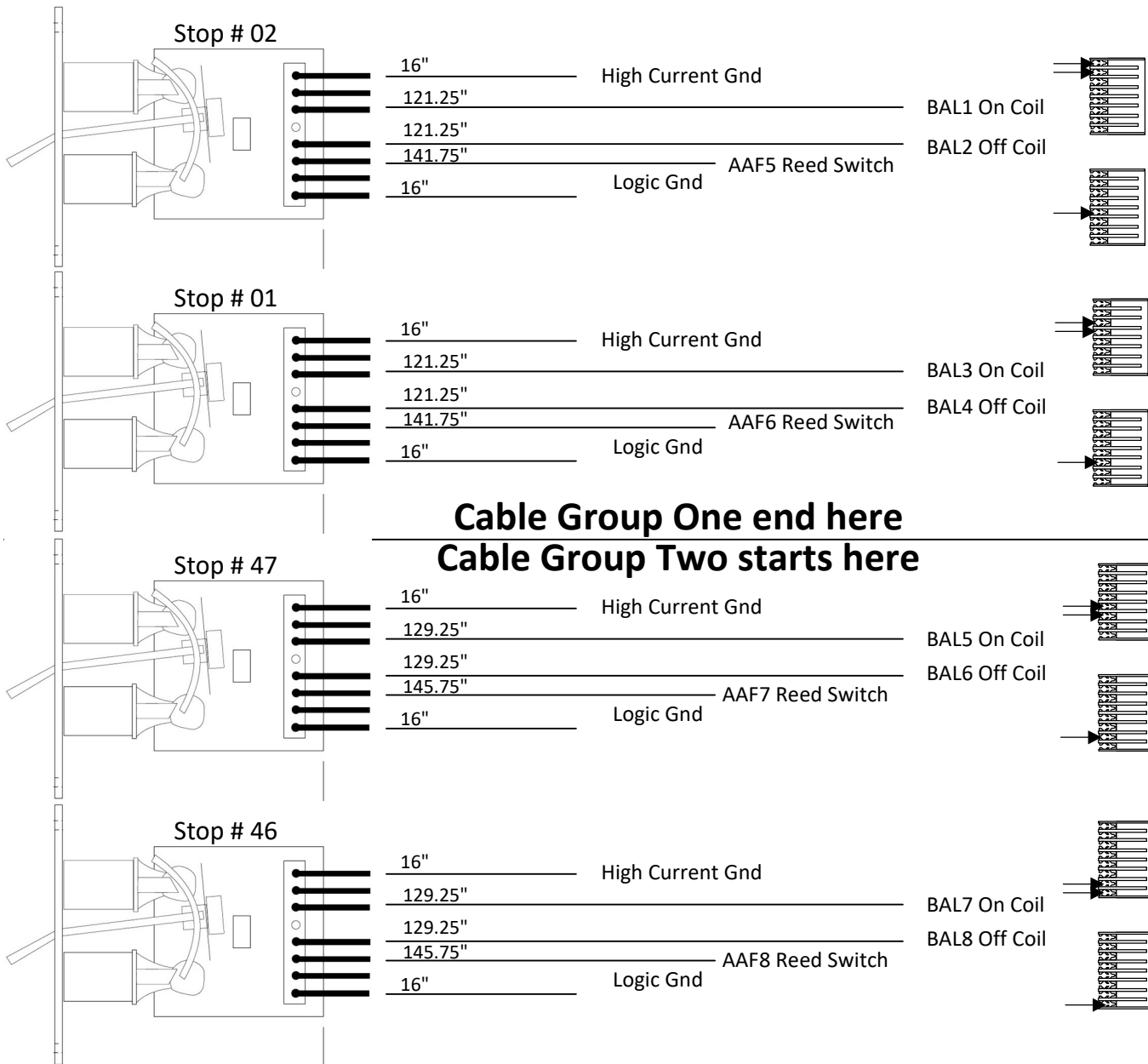


NOTES:

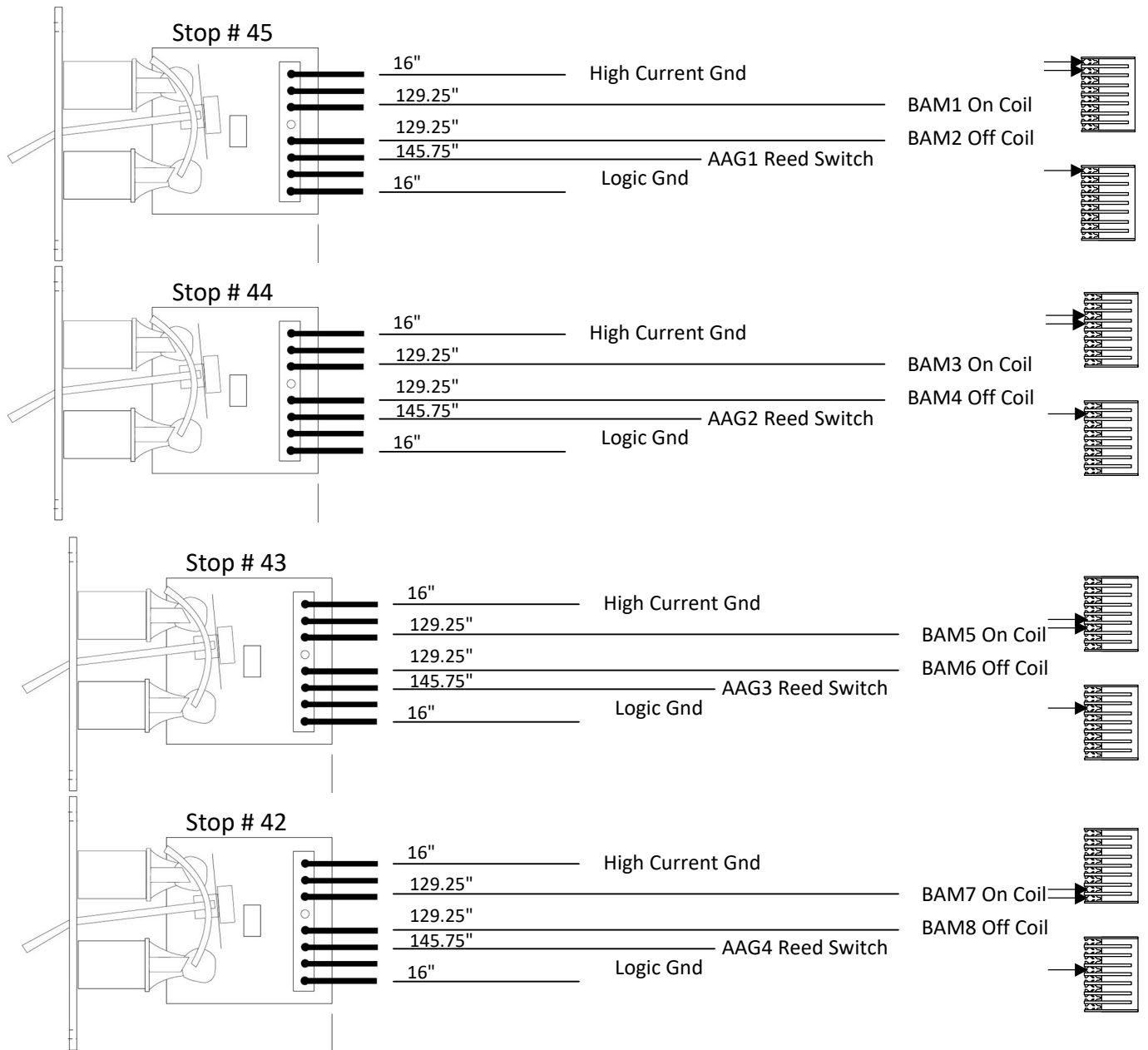
Top Row (Group 1)



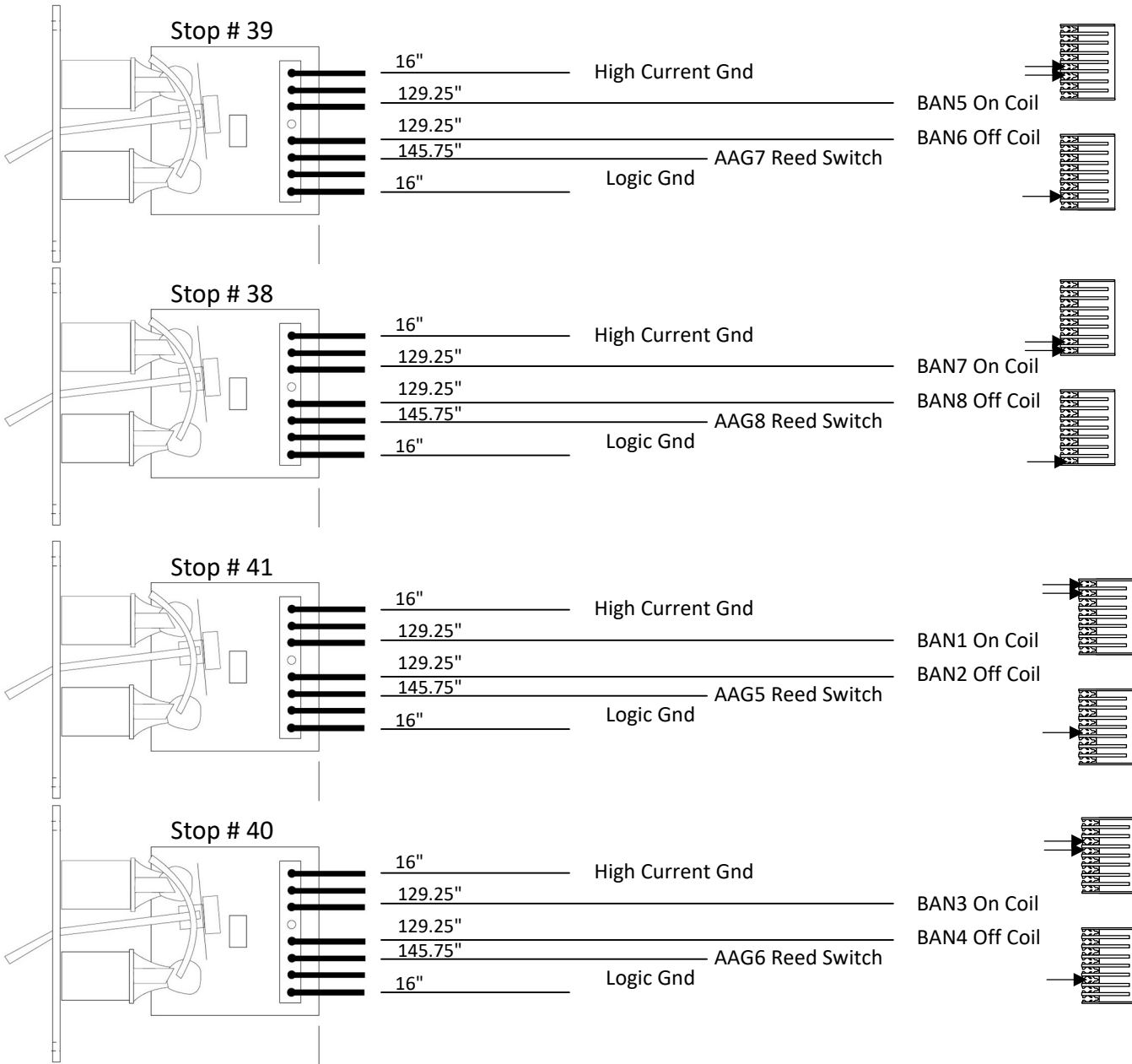
NOTES:



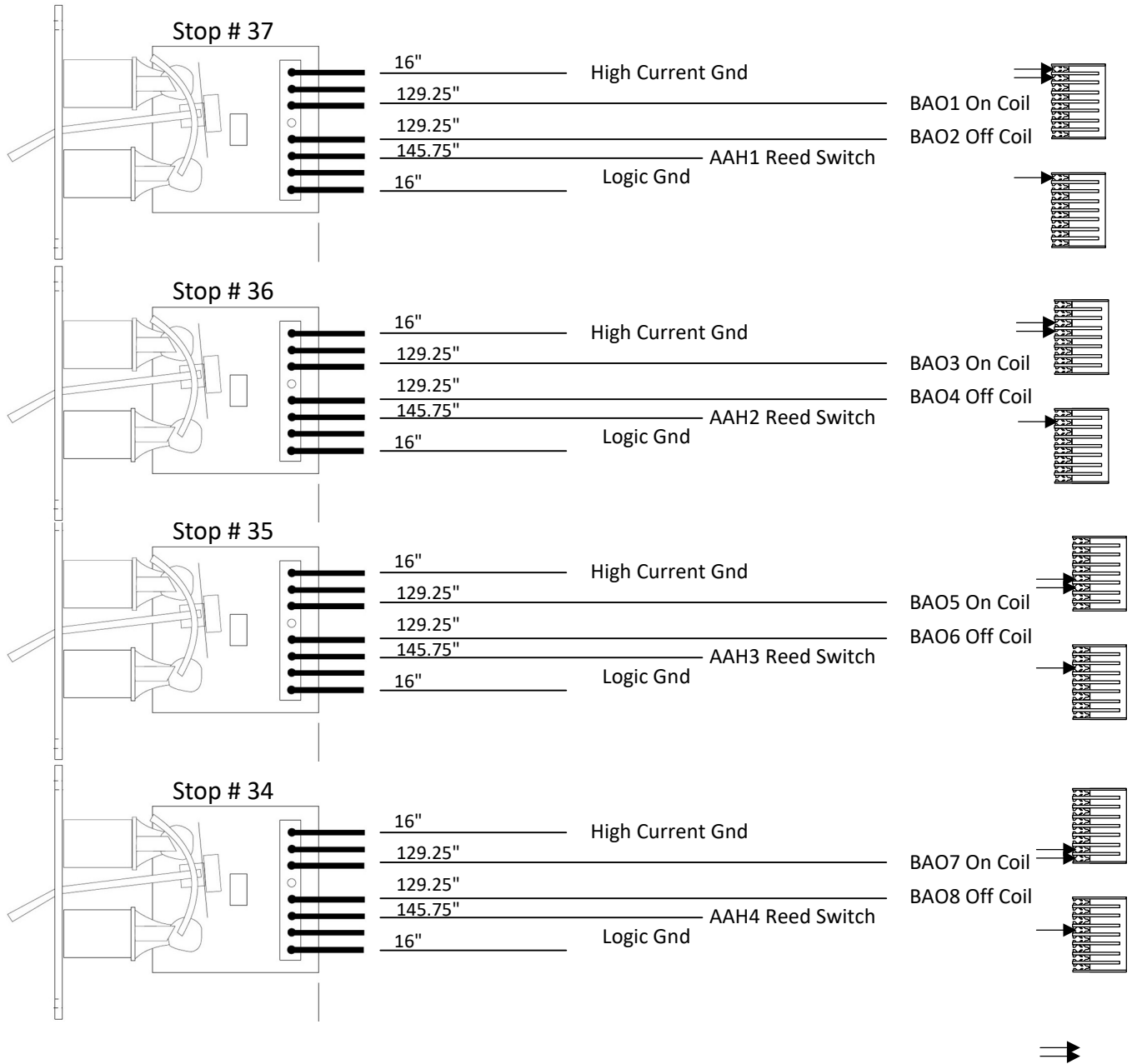
NOTES:



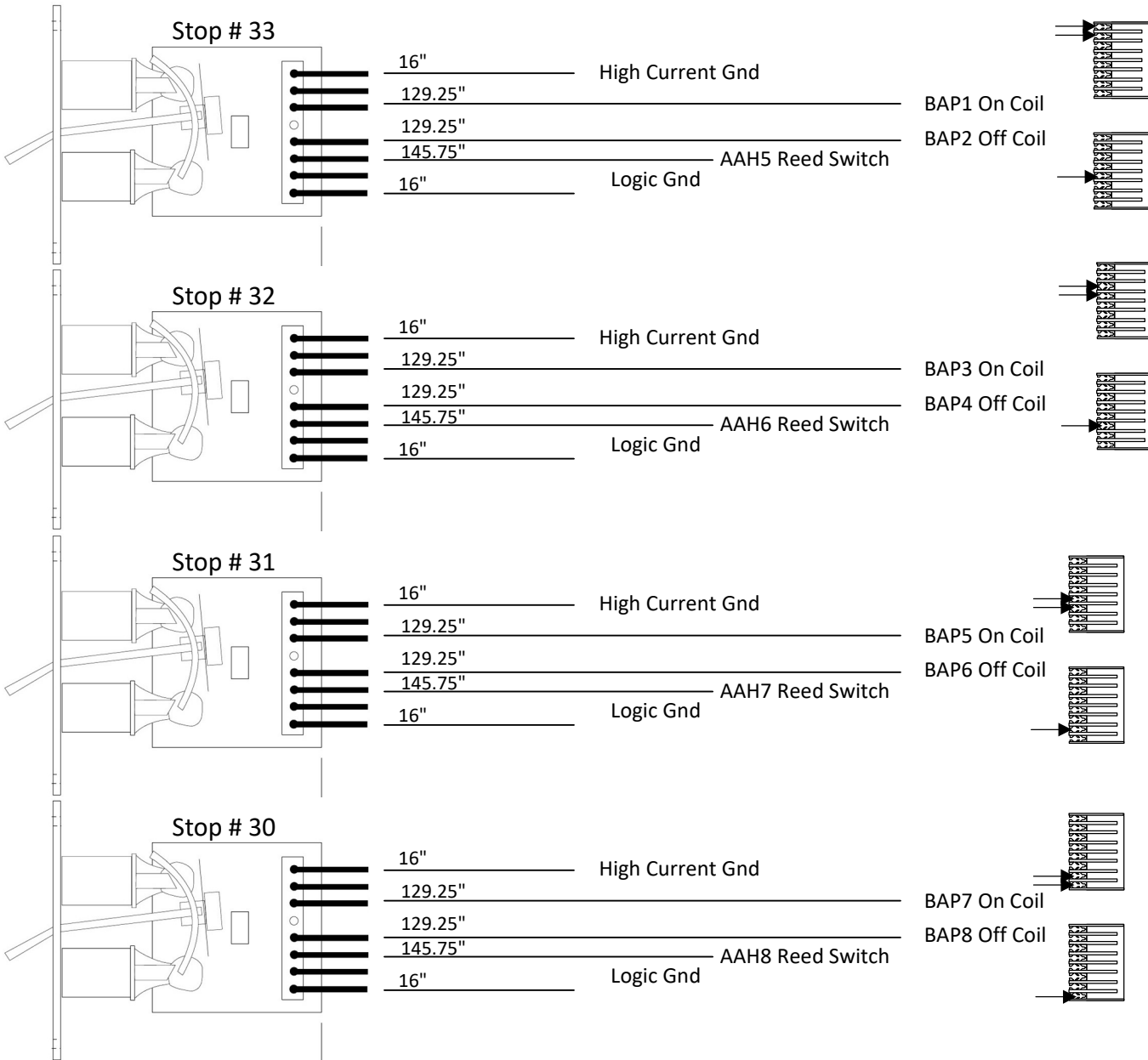
NOTES:



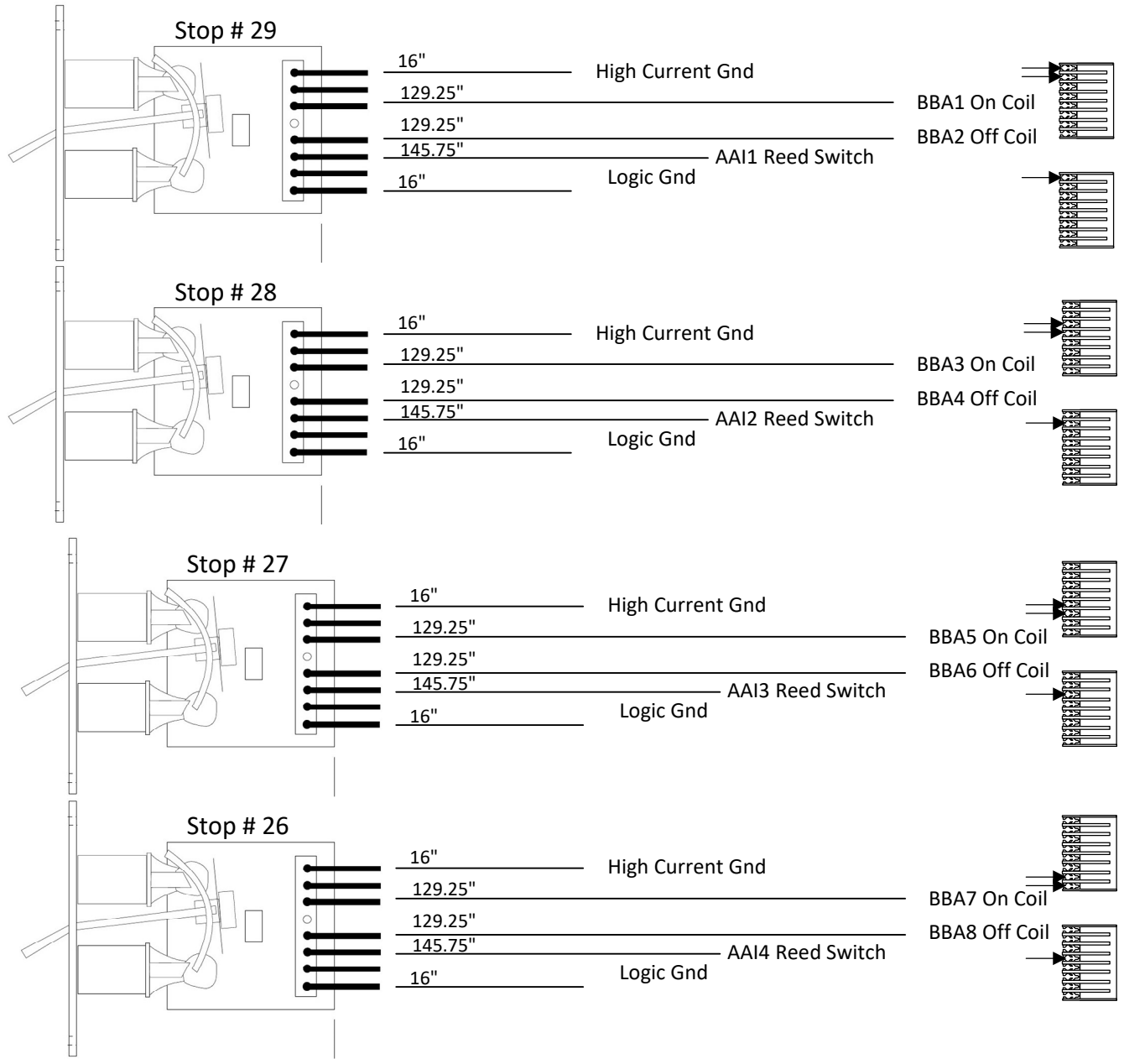
NOTES:



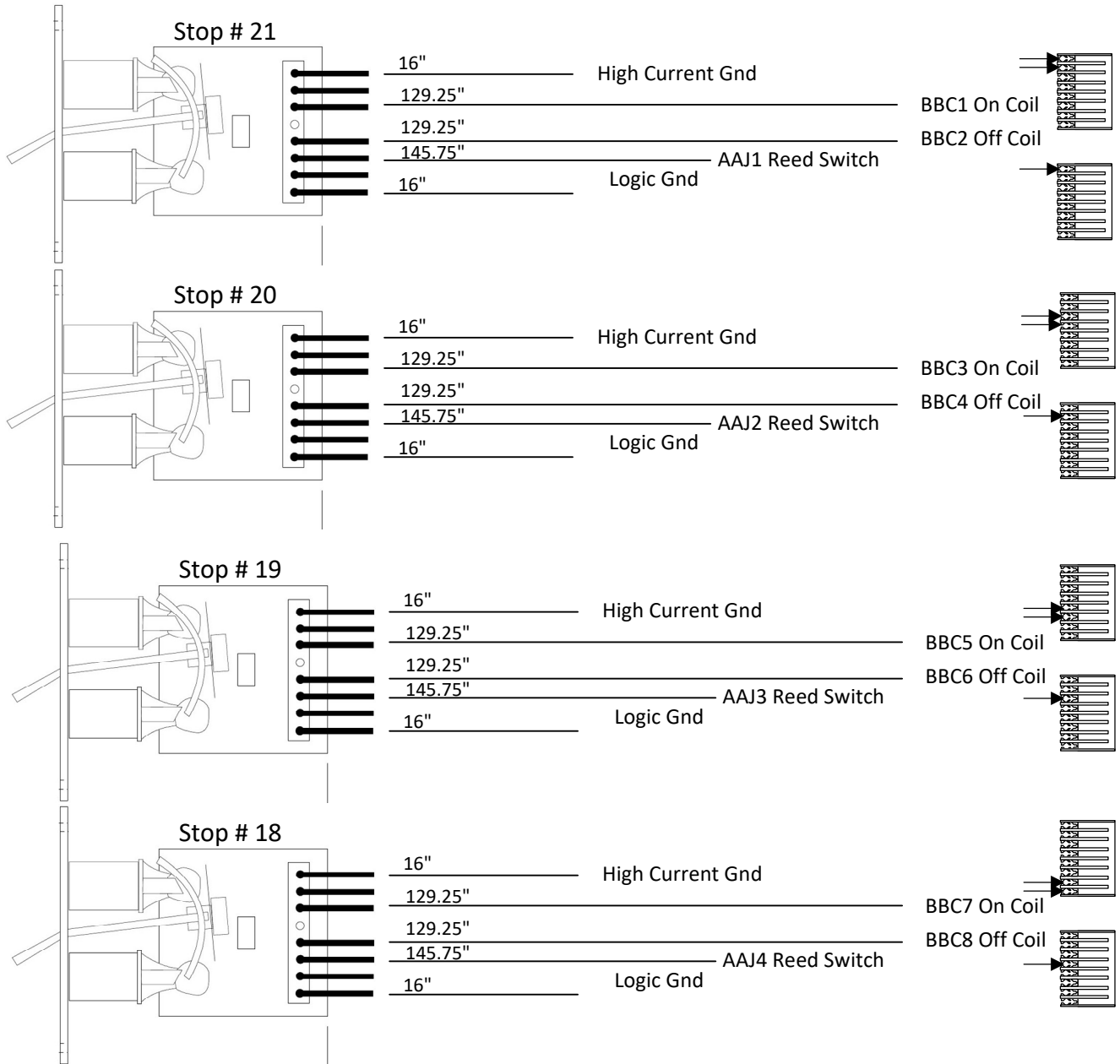
NOTES:



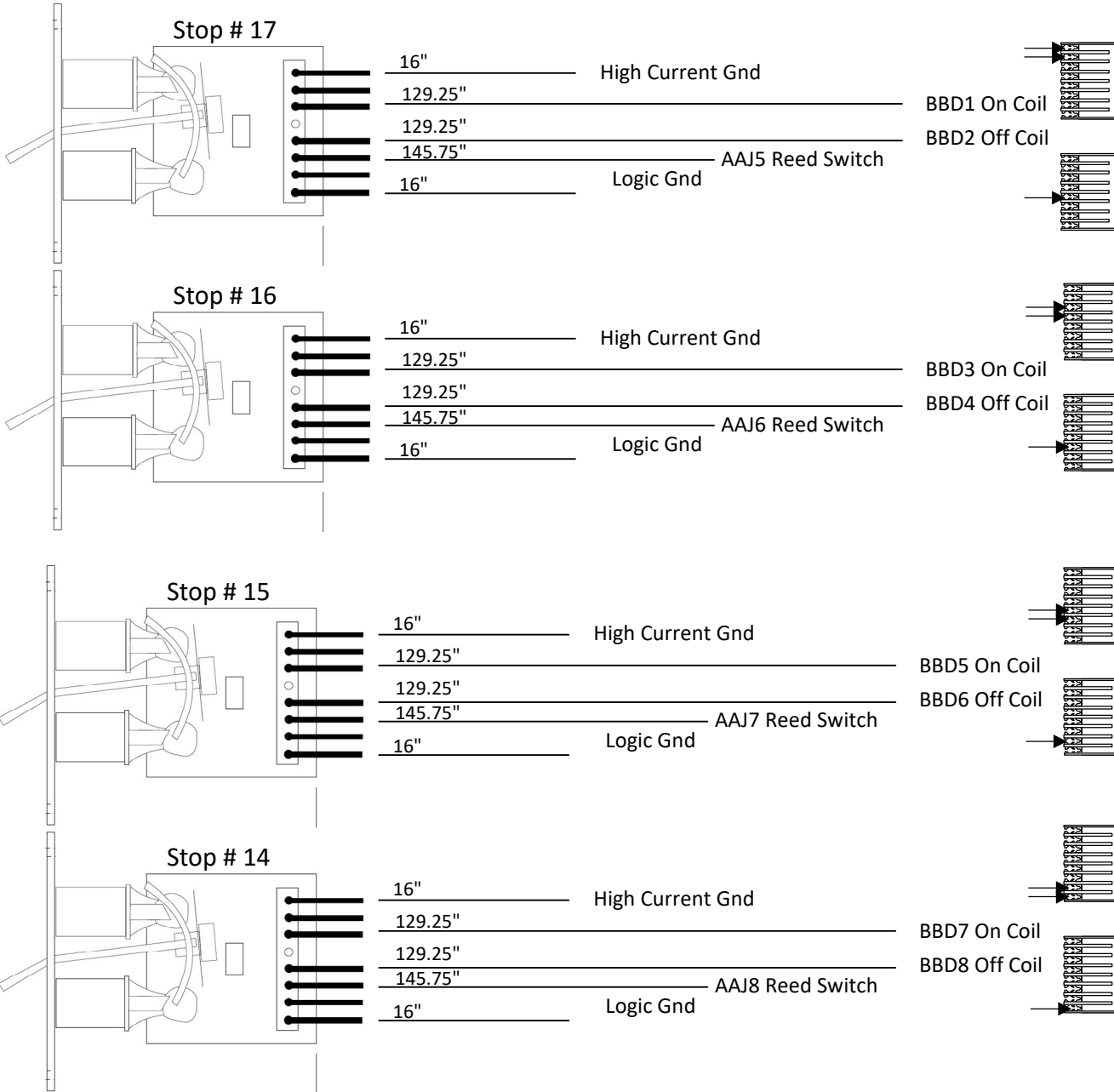
NOTES:



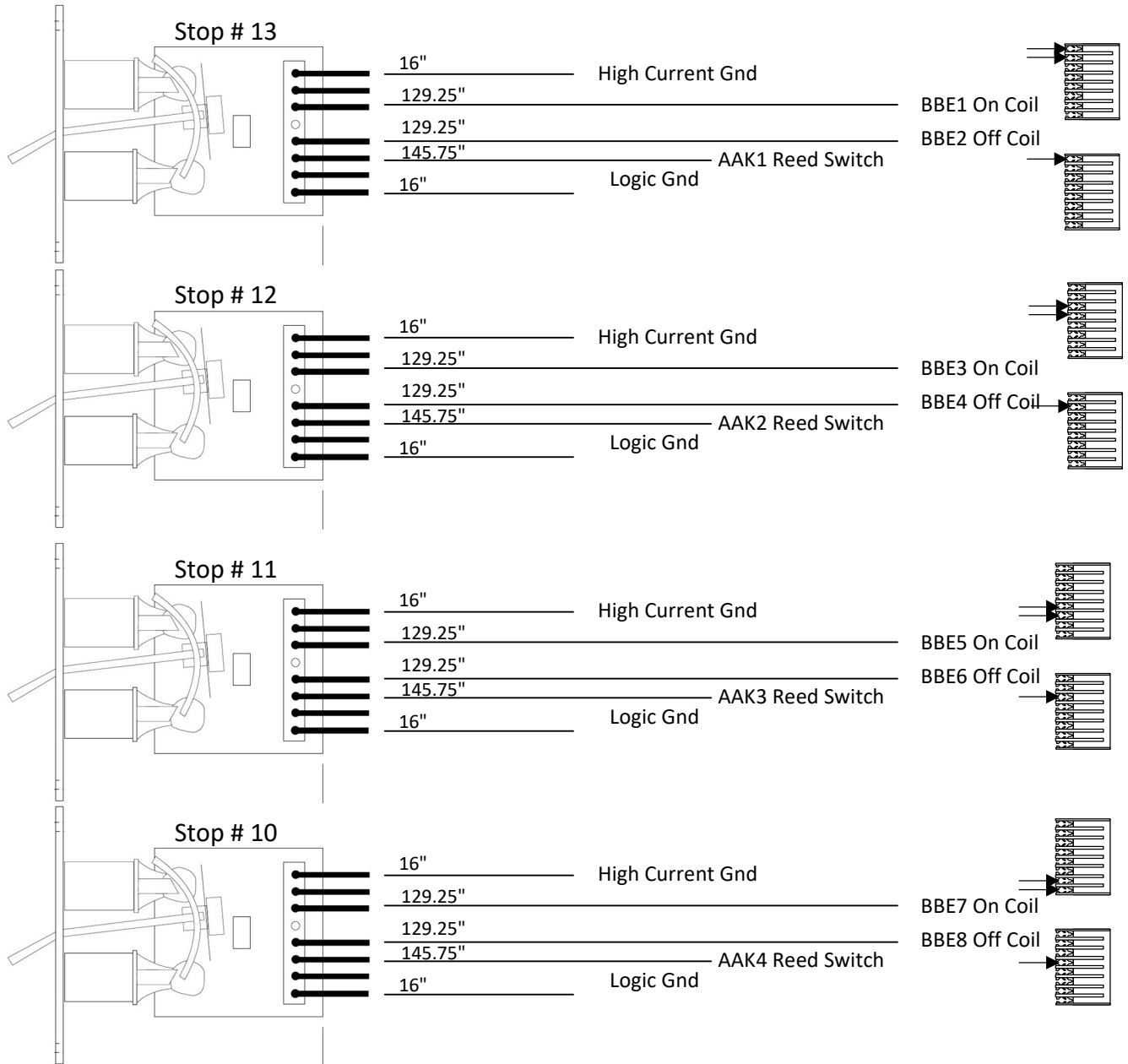
NOTES:



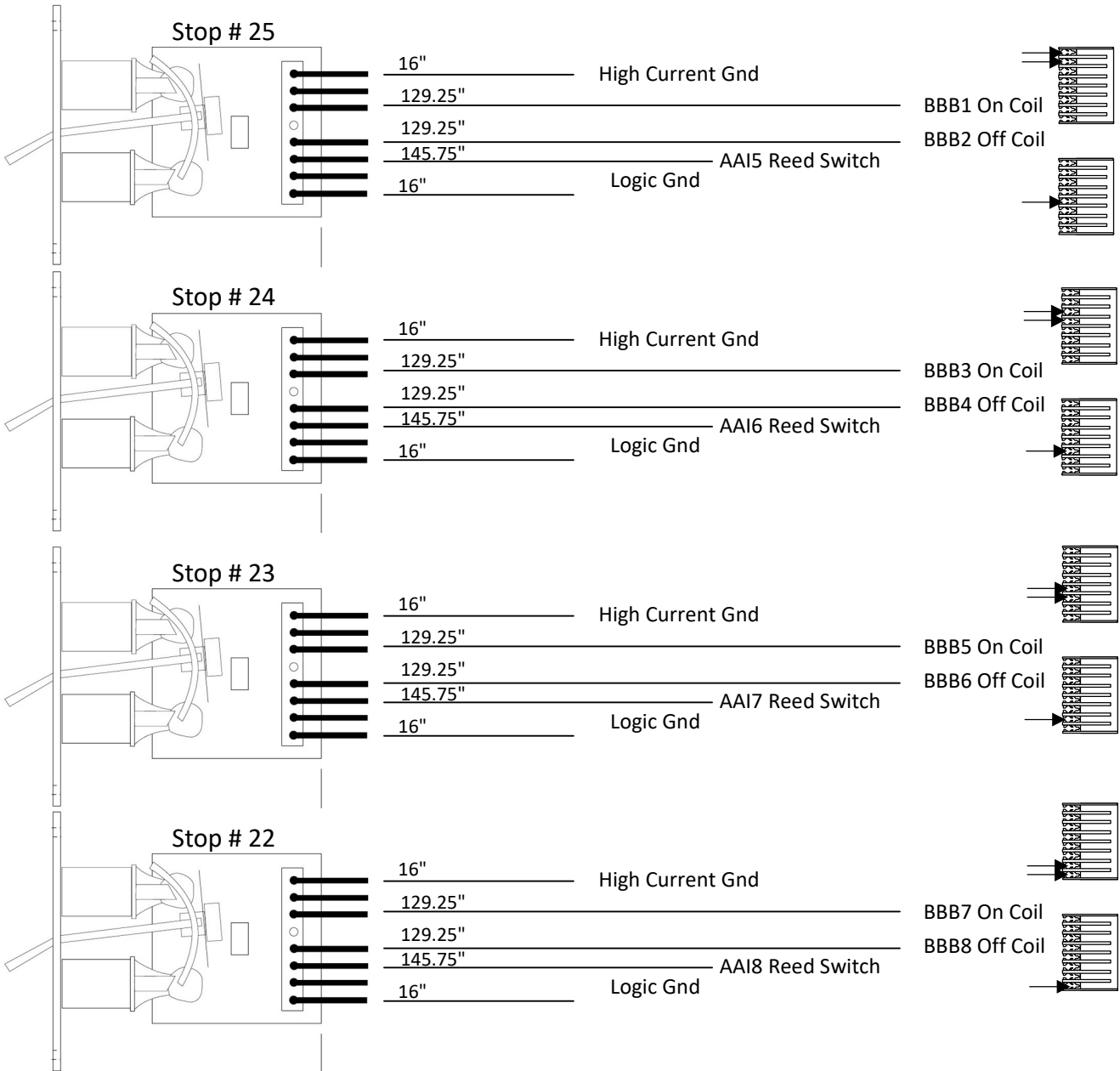
NOTES:



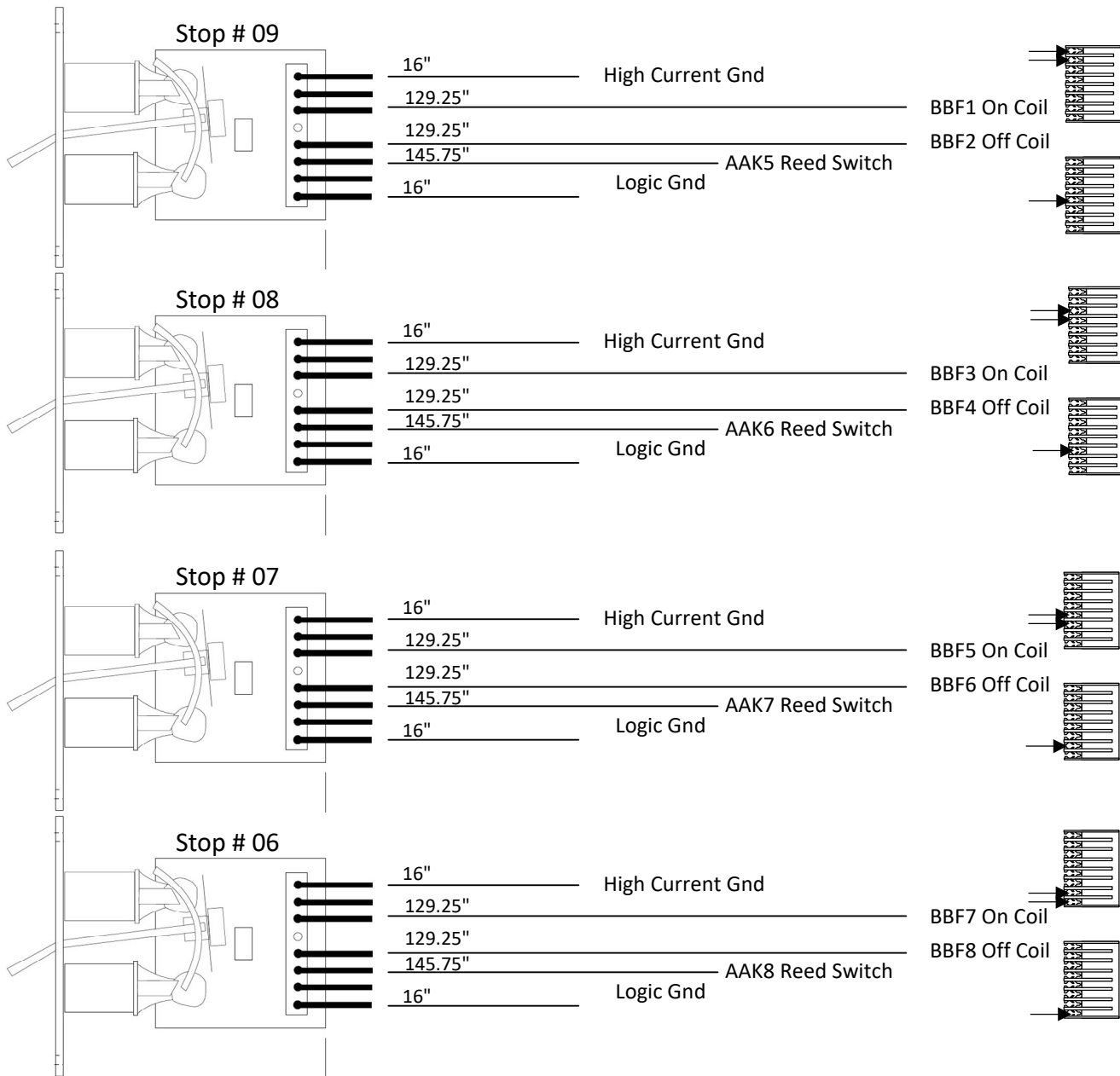
NOTES:



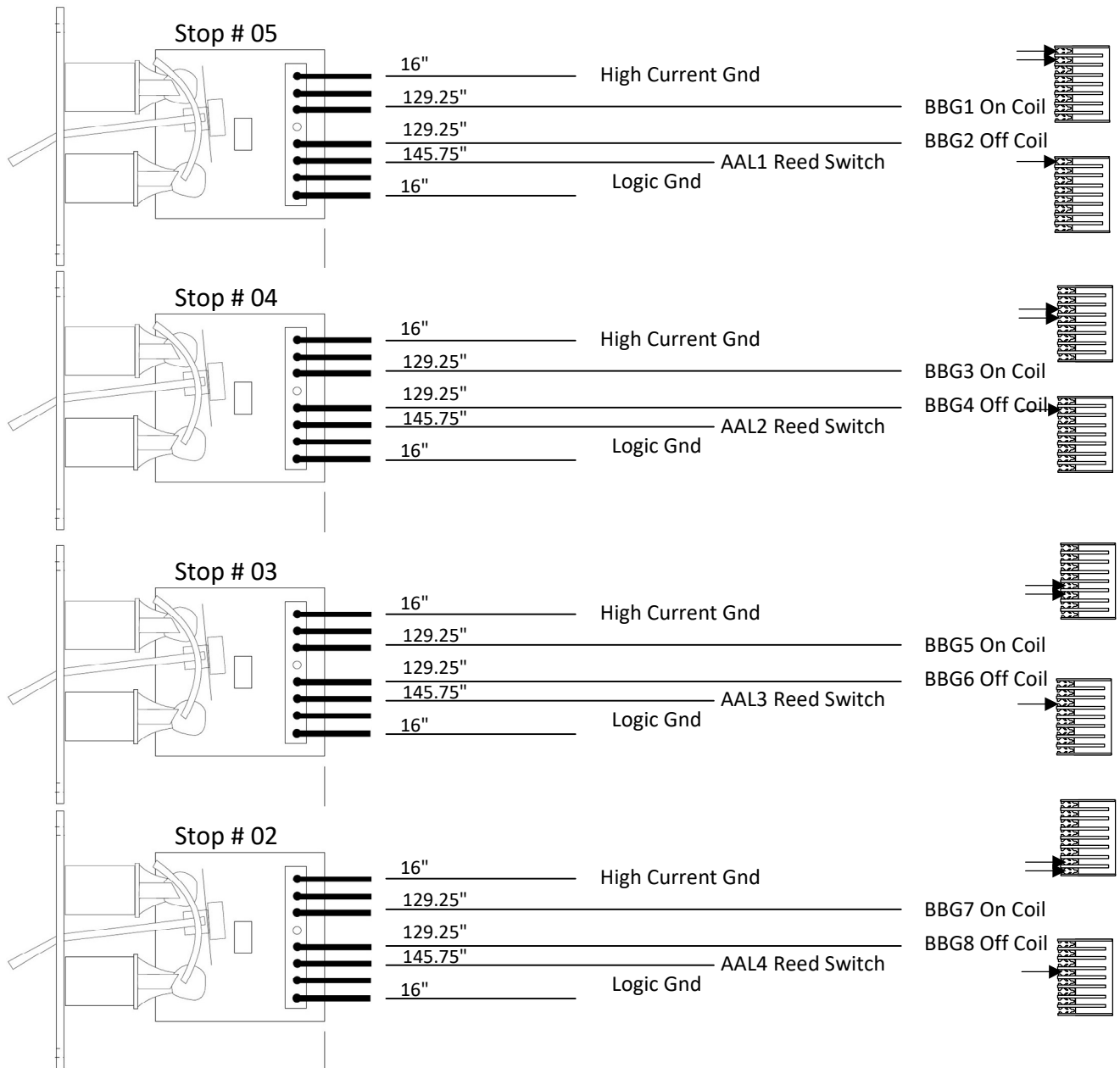
NOTES:



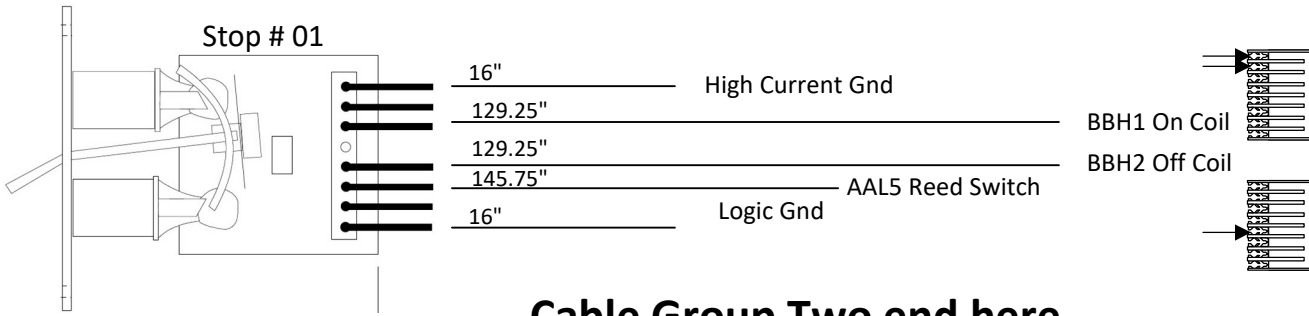
NOTES:



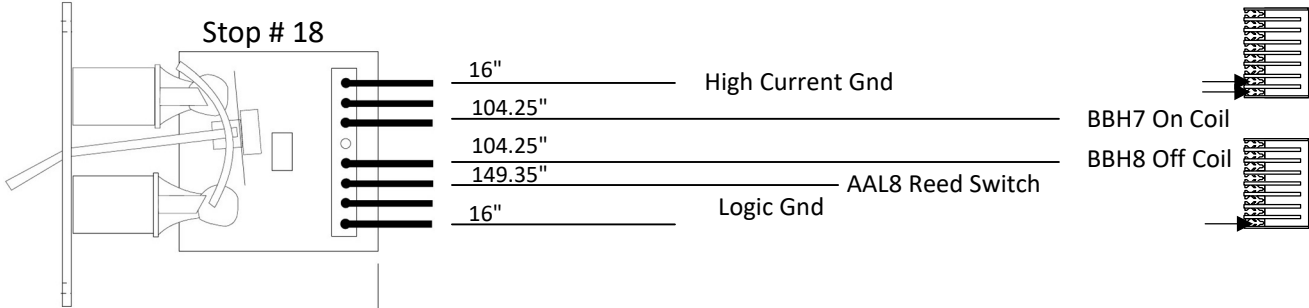
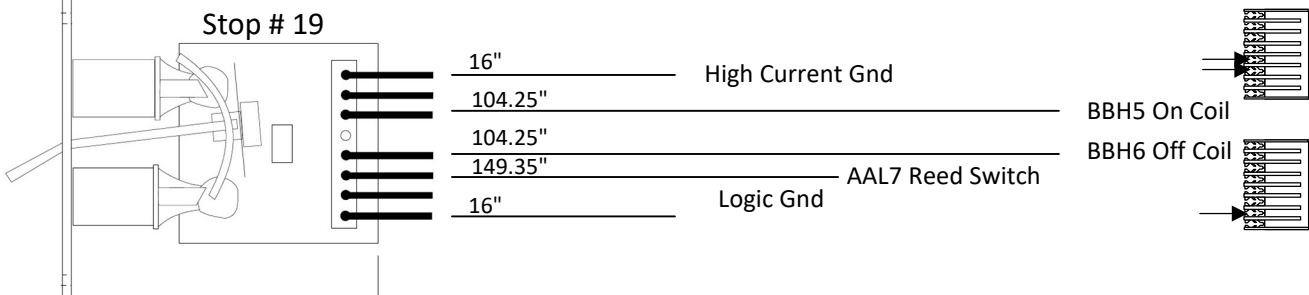
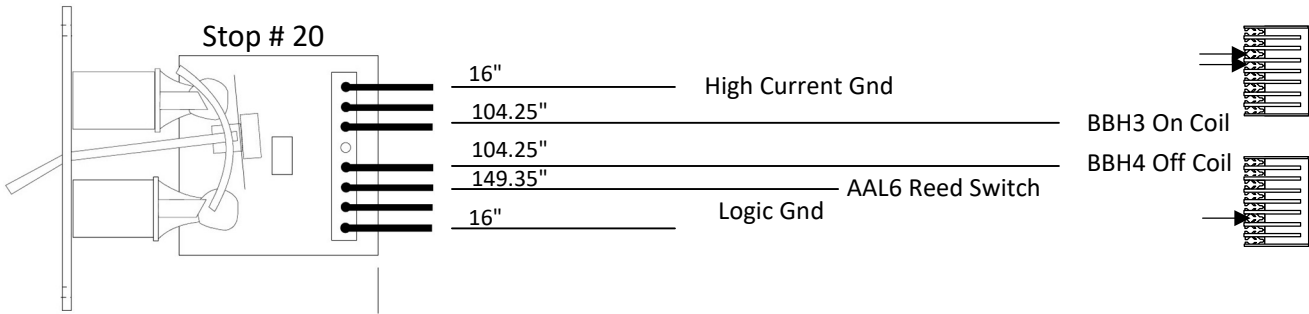
NOTES:



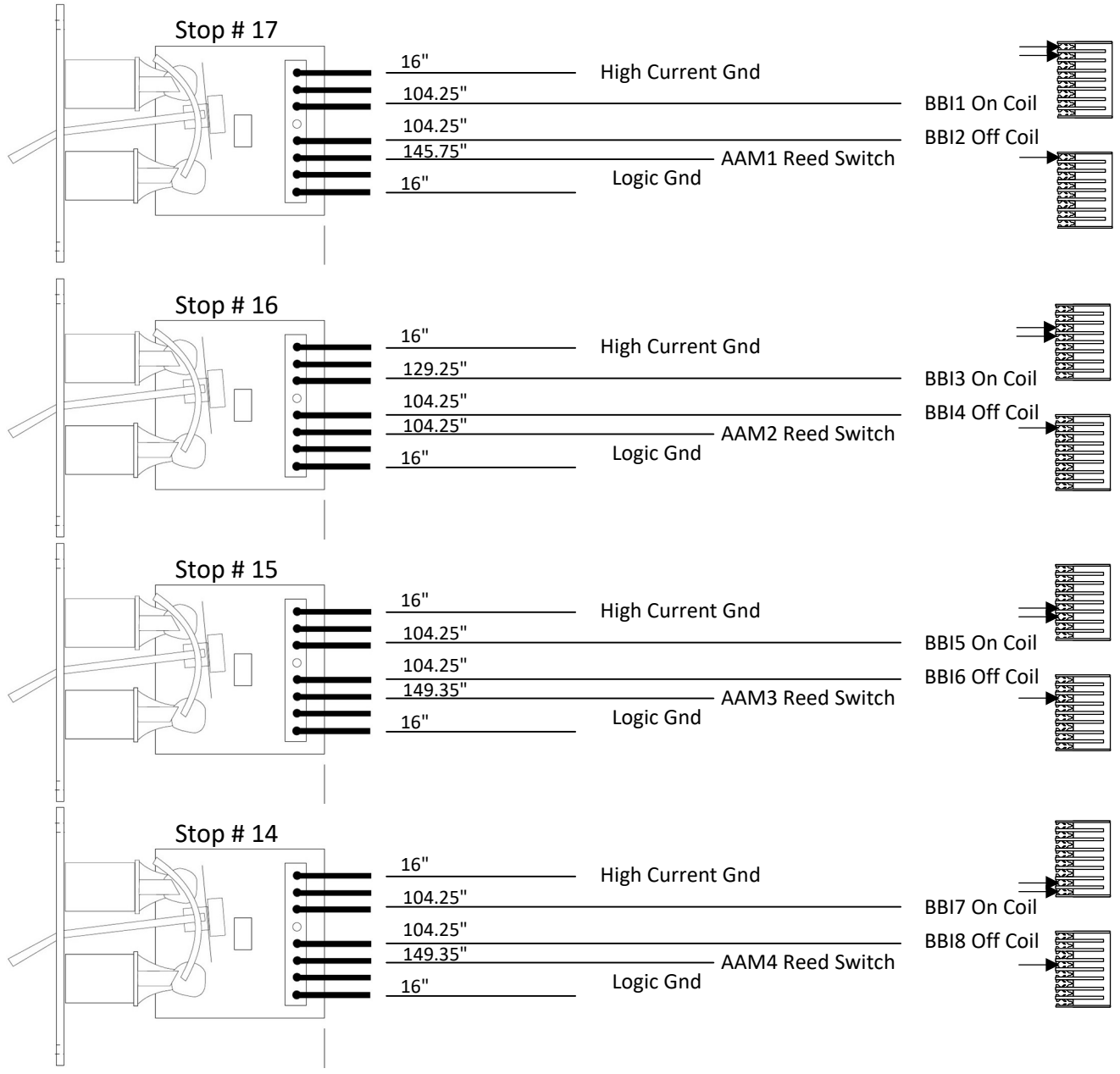
NOTES:



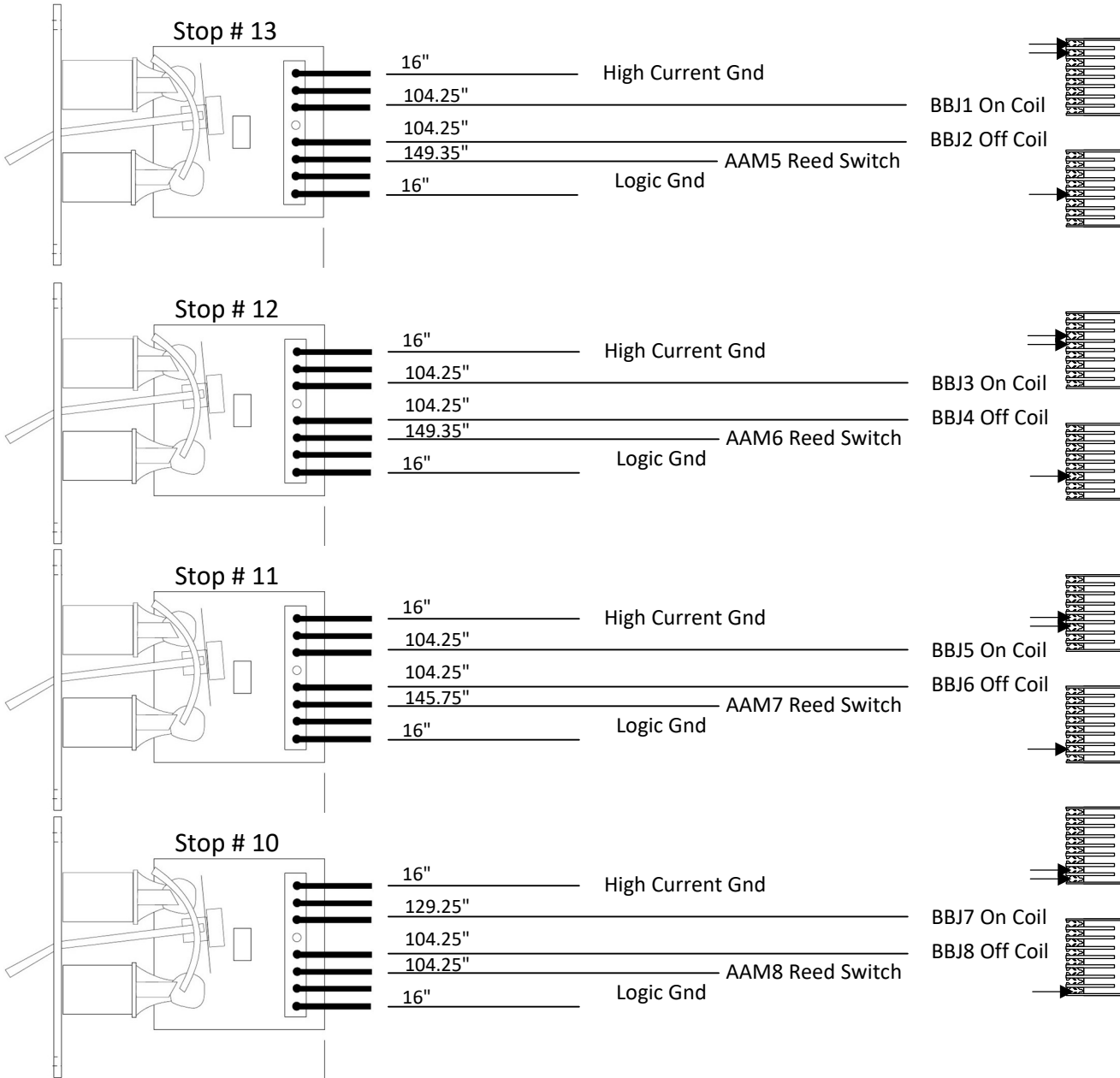
Cable Group Two end here
Cable Group Three starts here



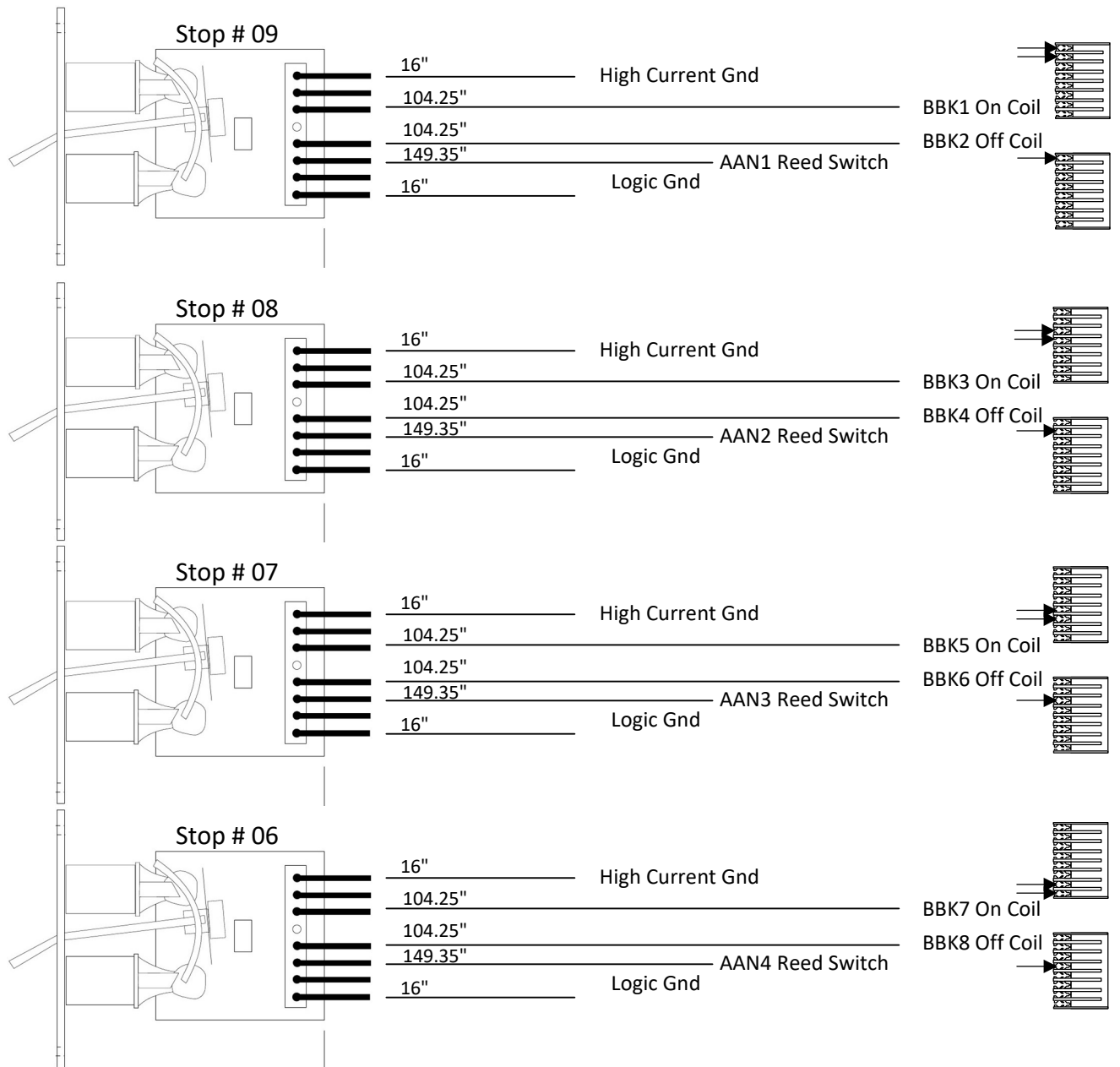
NOTES:



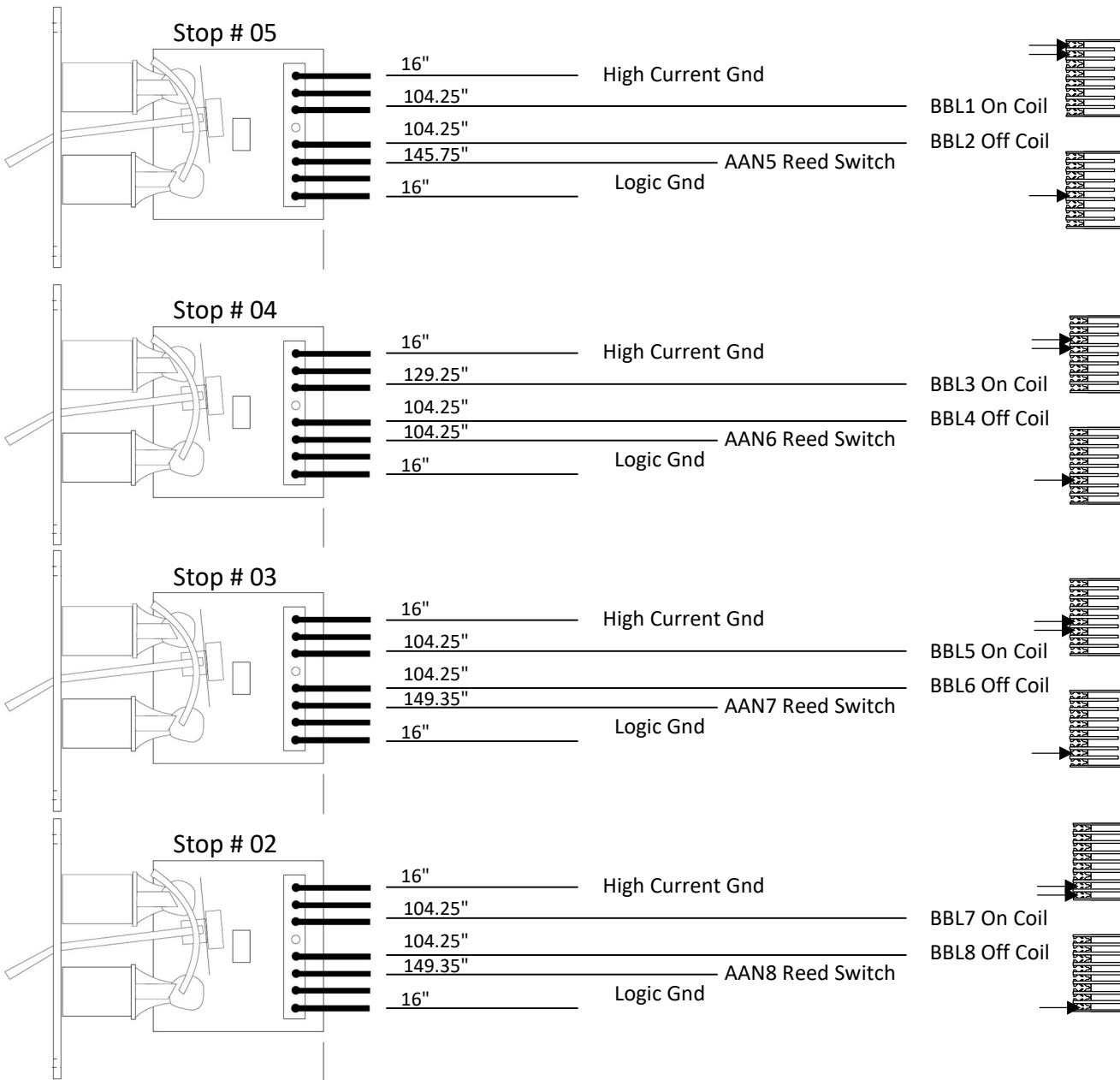
NOTES:



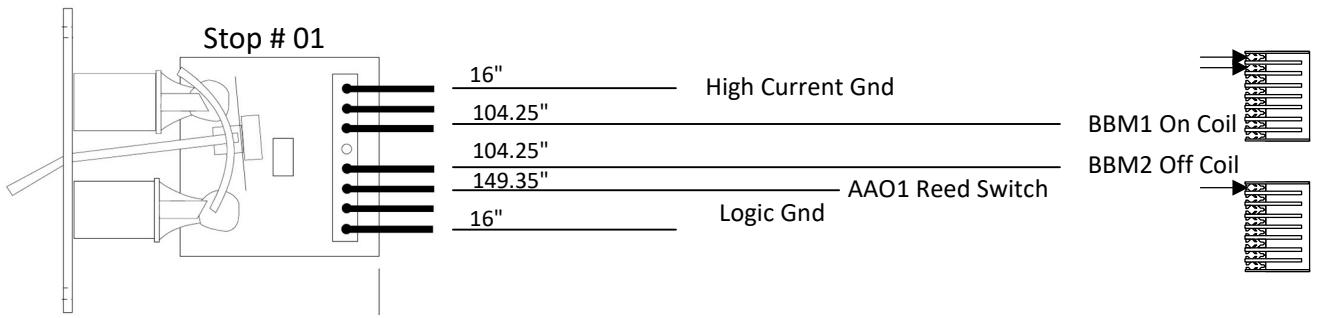
NOTES:



NOTES:



NOTES:



NOTES:
