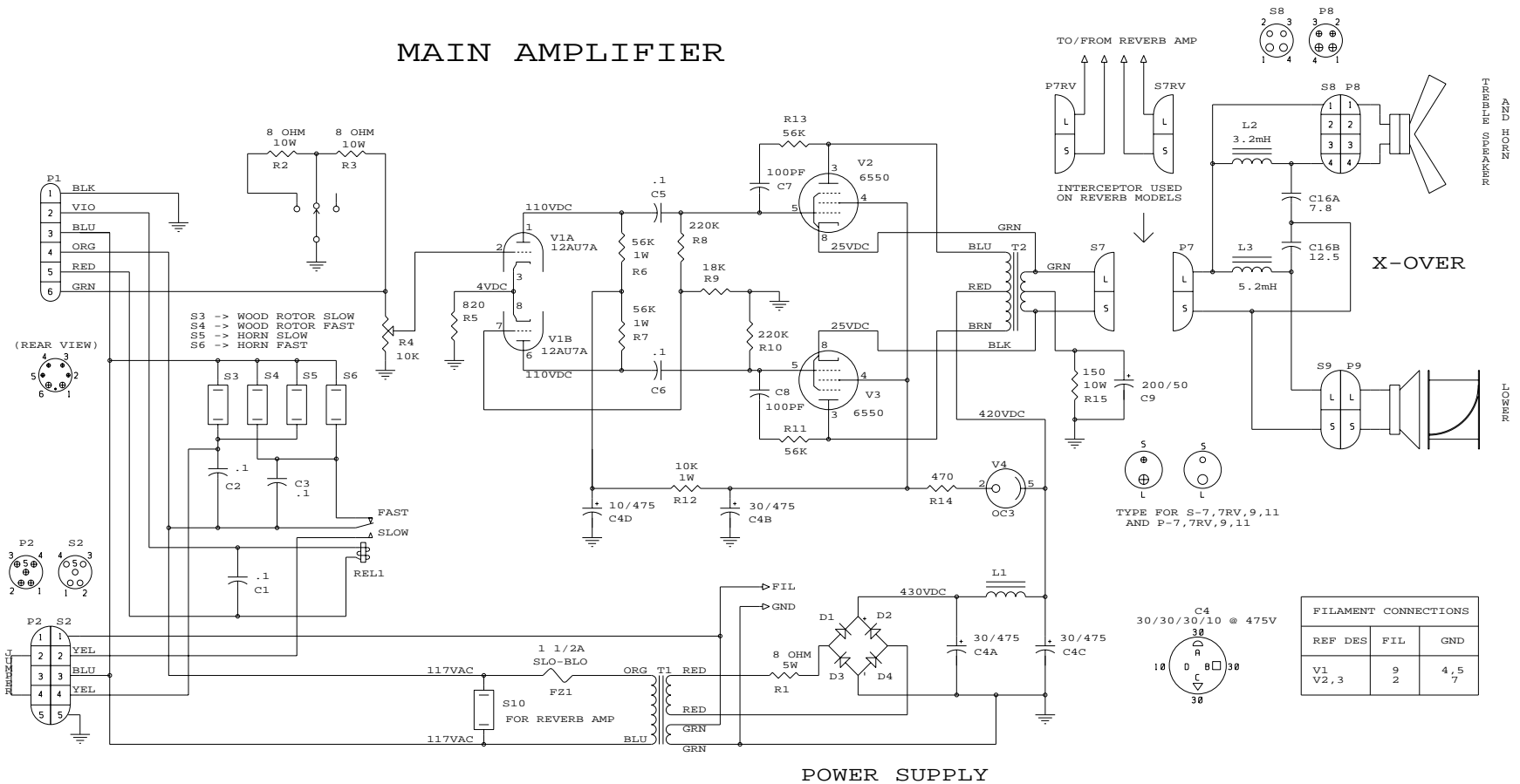


MAIN AMPLIFIER



FILAMENT CONNECTIONS			
REF DES	FIL	GND	
V1	9	4	5
V2, 3	2	7	

Title		
117V TYPE 145 ROTOR AND REVERB AMPLIFIERS		
Size	Document Number	REV
B	---	1.1
Date:	October 25, 1995	Sheet 1 of 2