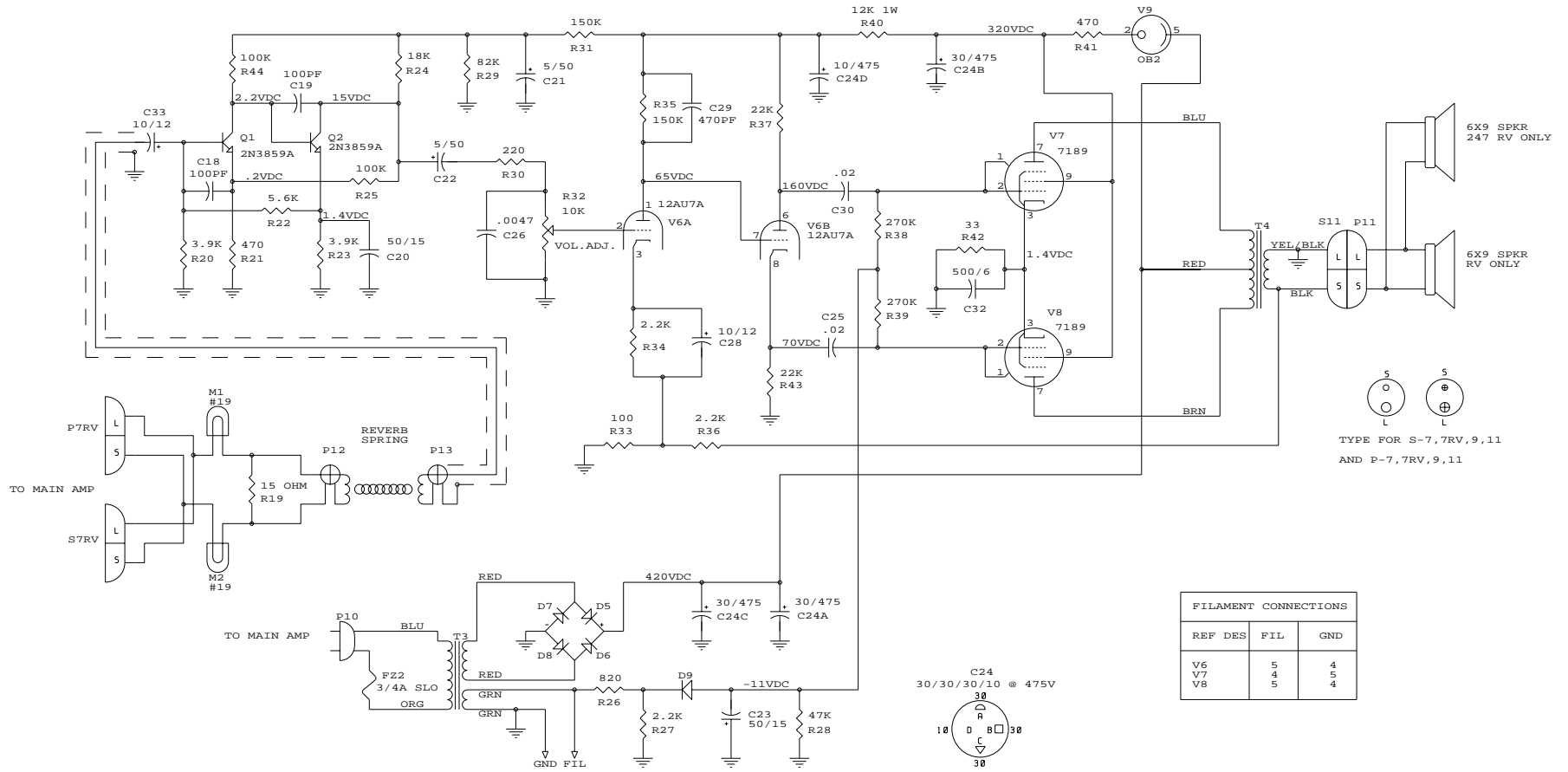
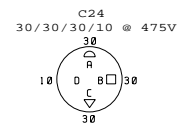


# REVERB AMPLIFIER



TYPE FOR S-7,7RV,9,11  
AND P-7,7RV,9,11

FILAMENT CONNECTIONS			
REF	DES	FIL	GND
V6		5	4
V7		4	5
V8		5	4



Title		
117V TYPE 145 ROTOR AND REVERB AMPLIFIERS		
Size	Document Number	REV
B	-----	-
Date:	March 8, 1995	Sheet 2 of 2