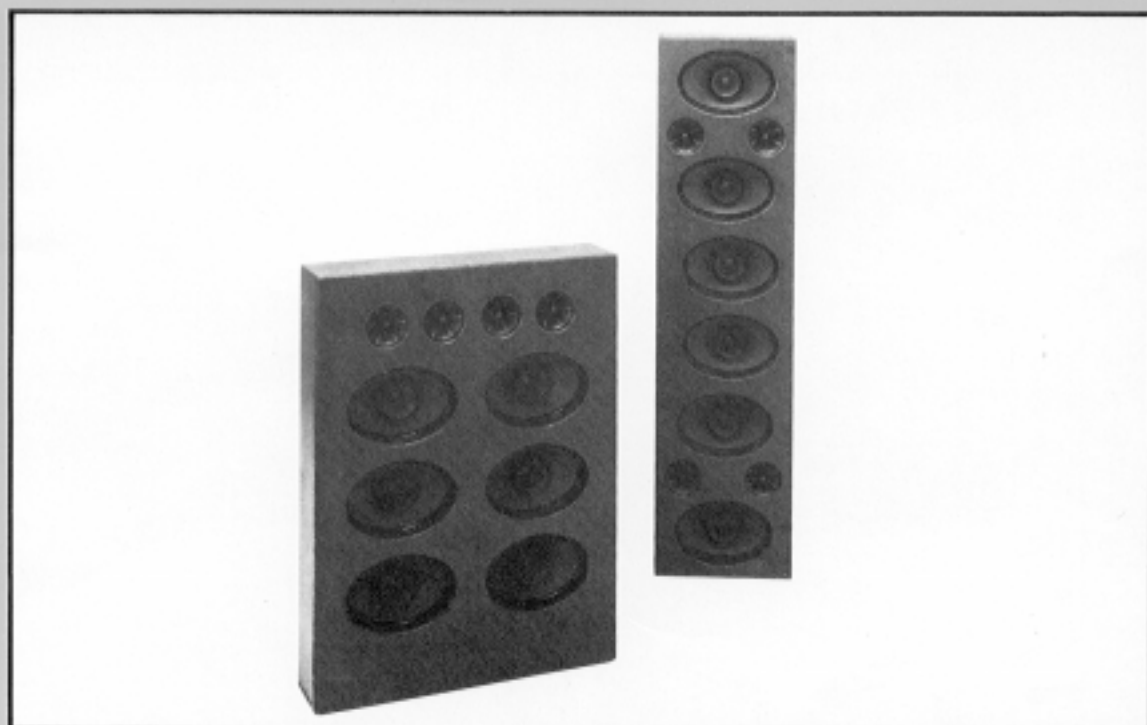


RODGERS M10 and M10C TONE CABINETS



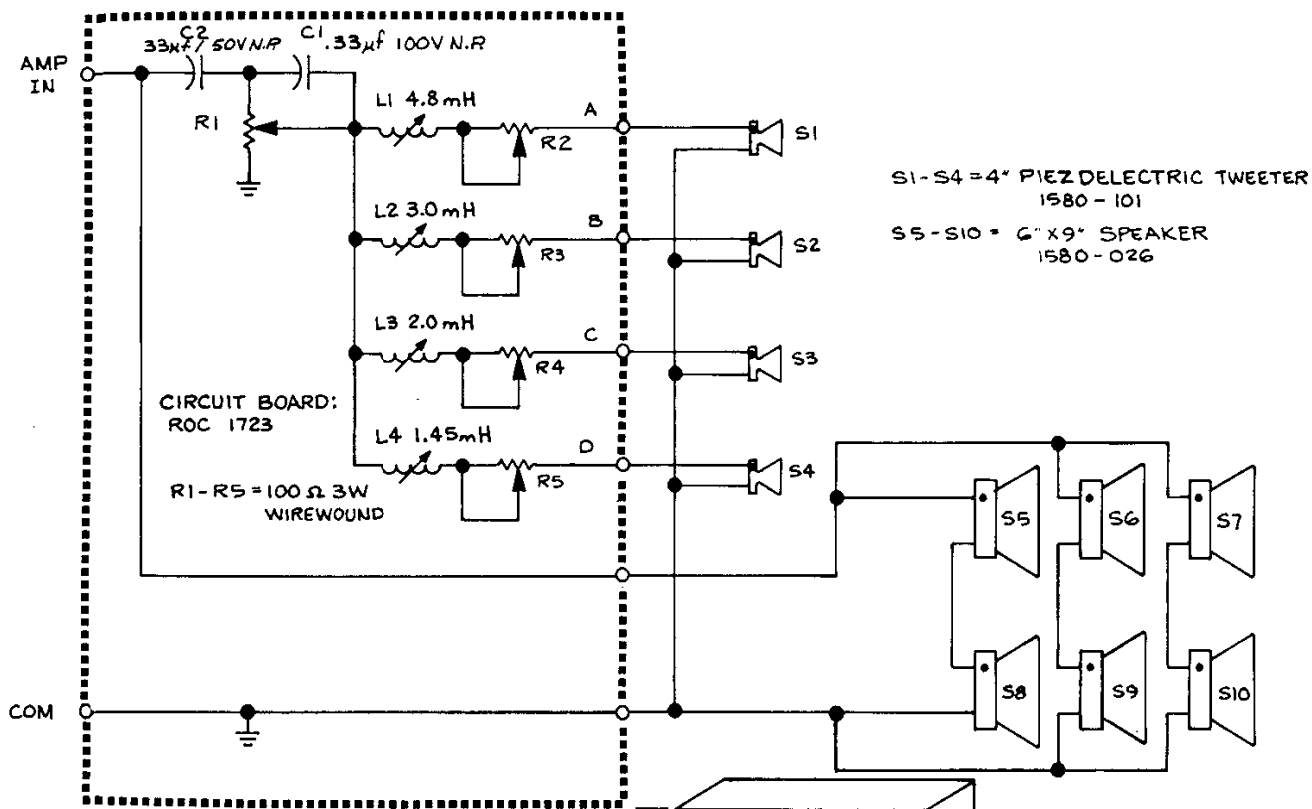
Dimensions: M10: 23 $\frac{3}{4}$ " x 31 $\frac{3}{4}$ " x 5". Weight: 35 lbs.
Dimensions: M10C: 12" x 47 $\frac{3}{4}$ " x 5". Weight: 33 lbs.

Complementing the authentic tones produced in Rodgers organs requires carefully matched speakers of exceptional quality and design. Each Rodgers tone cabinet has been designed by leading acoustic experts in conjunction with the CBS Technology Center. The resulting tone cabinets give unsurpassed organ tone within each cabinet's size and cost categories.

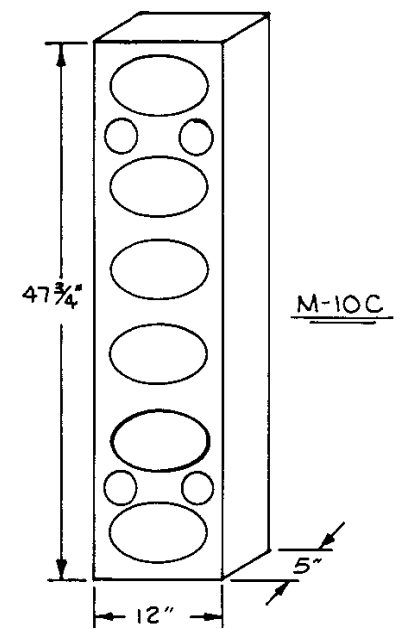
Rodgers M10 tone cabinet uses six specially selected 6" x 9" wide range drivers and a unique "stagger-tuned" tweeter system. The special drivers produce low and mid-range frequencies and feature high power-handling capabilities and tight response. The new "stagger-tuned" tweeter system offers three major advantages: Increased sensitivity, less intermodulation distortion, and excellent tonal dispersion.

The Rodgers M10C uses the same drivers and "stagger-tuning" network as the M10 arranged in a column configuration. Both the M10 and M10C are available in utility and grille cloth covered styles.

Rodgers Organ Company
1300 N.E. 25th Avenue
Hillsboro, Oregon 97124

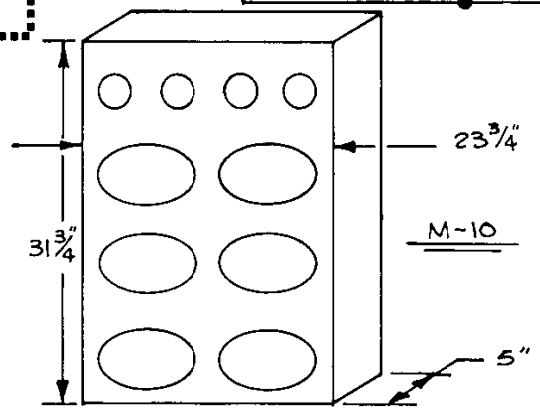


S1-S4 = 4" PIEZOELECTRIC TWEETER
1580-101
S5-S10 = 6" x 9" SPEAKER
1580-026



NOTES
ALL CAPACITORS GIVEN IN MICROFARADS
UNLESS OTHERWISE LABELED.

ALL RESISTANCES GIVEN IN OHMS;
K=1,000 M=1,000,000.



THIS SCHEMATIC IS FOR CIRCUIT BOARD ROC1723

A 12-22-80 DEL REDRAWN PER ENG'NR ECO# 0395				
LTR.	DATE	BY	DESCRIPTION	
REVISIONS				
RODGERS ORGAN COMPANY				
DRAWN DEL	DATE 12-22-80	SCALE G2%	MODEL M-10 M-10C	DWG. NO. 1692A
CHECKED HM	DATE 12-23-80	PROJ/ENG JK	ENG. MRG.	REL. DATE
TITLE M-10, M-10C SPEAKER SYSTEM				

30